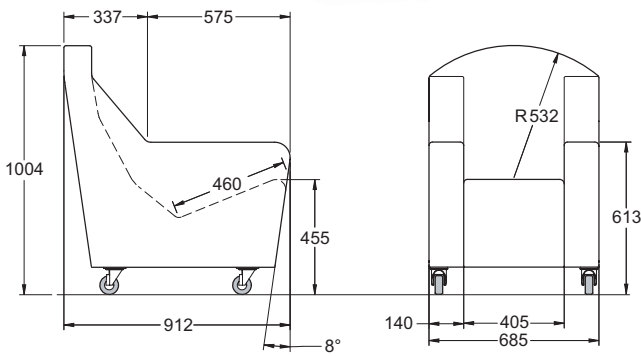


STIRLING



Dimensions in mm

General Use

- Care home environments
- Domestic home use
- Hospital ward and bedside use
- For those with physical and learning disabilities
- For the frail elderly

Features and Benefits

- Elegant, simple design
- Correct positioning and support
- Fixed angle seat and back
- Lateral supports
- Built-in headrest support

Pressure Relieving Seat Options (integral)

- Intelli-Gel® Integral seat module
- Reflexion™ Foam seat module

Accessories

- Head supports
- Sliding footrest
- Legrests
- Fleecy liner
- Laminated tray
- Wedges and cushions
- Lap-Belt
- Pelvic Positioners

Weight Limit

- 102kg/16 stone



Contact Us

Call Freephone 0800 212709 (UK only) and speak to our friendly Customer Service Team. E: info@kirtonhealthcare.co.uk

About Us

The Kirton Healthcare Group
23 Rookwood Way, Haverhill, Suffolk, CB9 8PB

T: 01440 705352 F: 01440 706199

E: info@kirtonhealthcare.co.uk

www.kirton-healthcare.co.uk

@Kirton_Seating