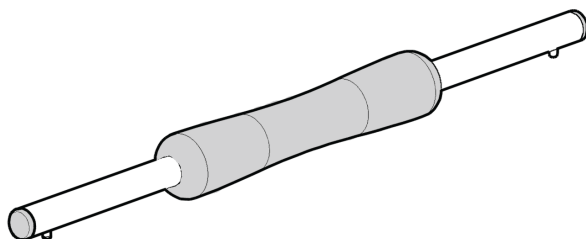


# Front support, Coral

CE

Manual - English



**Art.no.:**

3002920900

**SWL: 75 kg/165 lbs**

**EN Visual inspection**

Inspect the product regularly. Check to ensure that material is free from damage.

**SE Visuell inspektion**

Gör regelbundna funktionskontroller av produkten. Kontrollera att materialet är helt fritt från skador.

**NO Visuell inspeksjon**

Gjør regelmessige funksjonskontroller av produktet. Kontroller at materialet er helt og uten skader.

**DK Visual inspektion**

Foretag regelmæssige funktionskontroller af sengebordet. Kontroller, at materiale er helt og ikke udviser tegn på beskadigelse.

**FI Silmämääräinen tarkastus**

Tarkasta tuotteen toimivuus säännöllisesti. Tarkasta, ettei materiaalissa ole mitään vaurioita.

**DE Sichtprüfung**

Unterziehen Sie das Hilfsmittel regelmäßigen Funktionskontrollen. Vergewissern Sie sich, daß das Material unbeschädigt ist.

**NL Visuele controle**

Inspecteer het product regelmatig. Controleer op mogelijke beschadigingen van het materiaal.

**FR Inspection visuelle**

Effectuer des inspections régulières du fonctionnement du produit. Vérifier que le matériau est entièrement exempt de dommages.

**IT Ispezione visiva**

Testare il funzionamento del prodotto regolarmente. Verificare che il materiale non sia danneggiato.

**ES Inspección visual**

Realice periódicamente un control de funcionamiento del producto. Asegúrese de que el material no presente ningún tipo de desperfecto.

**EN Before use**

Ensure that the product is correctly assembled/mounted/installed.

**SE Före användning**

Kontrollera att produkten är rätt monterad/installerad.

**NO Før bruk**

Kontroller at produktet er korrekt installert.

**DK Før brug**

Kontroller, at produktet er korrekt installeret.

**FI Ennen käyttöä**

Tarkasta, että tuote on asennettu oikein.

**DE Vor der Benutzung**

Prüfen Sie das Produkt auf korrekte Montage.

**NL Voor gebruik**

Zorg ervoor dat het product juist is gemonteerd.

**FR Avant l'utilisation**

Vérifier que le produit est correctement installé.

**IT Prima dell'uso**

Verificare che il prodotto sia installato correttamente.

**ES Antes de su uso**

Compruebe que el producto esté correctamente instalado.

**EN Always read the manual**

Always read the manual.

Keep the manual where it is easily accessible for users of the product.

**SE Läs alltid manualen**

Läs alltid manualen.

Förvara manualen tillgänglig för användare av produkten.

**NO Les alltid manualen**

Les alltid manualen.

Oppbevar manualen tilgjengelig for brukere av produktet.

**DK Læs altid manualen**

Læs altid manualen.

Opbevar manualen tilgængelig for brugere af produktet.

**FI Lue aina käyttöohje**

Lue aina käyttöohje.

Säilytä käyttöohje tuotteen käyttäjien saatavilla.

**DE Lesen Sie stets die Gebrauchsanweisung**

Lesen Sie stets die Gebrauchsanweisung.

Verwahren Sie die Anleitung so, dass sie der Anwender des Produktes rasch zur Hand hat.

**NL Lees altijd de handleiding**

Lees altijd de handleiding.

Bewaar de handleiding zo dat deze voor gebruikers van het product altijd beschikbaar is.

**FR Toujours lire le manuel**

Toujours lire le manuel.

Conserver le manuel pour qu'il soit accessible aux utilisateurs du produit.

**IT Leggere sempre il manuale**

Leggere sempre il manuale.

Tenere il manuale delle istruzioni in un luogo facilmente accessibile agli operatori che utilizzano il prodotto.

**ES Lea siempre el manual**

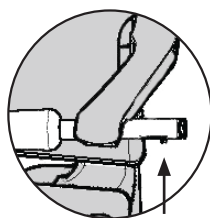
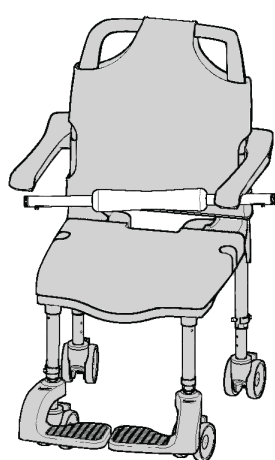
Lea siempre el manual.

Guarde el manual en un lugar accesible para el usuario del producto.

# Front support, Coral

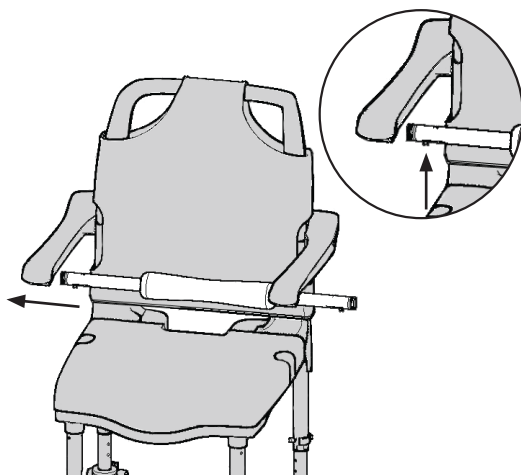
The front support fits all Coral chairs in the standard width. The front support is mounted on the Coral chair with the purpose of increasing security for its users, who might have reduced balance, and a tendency to fall over forwards in the chair. The front support offers a stable position to the user when leaning forward during the personal hygiene. This product can be used in combination with the armrest lock Coral chair.

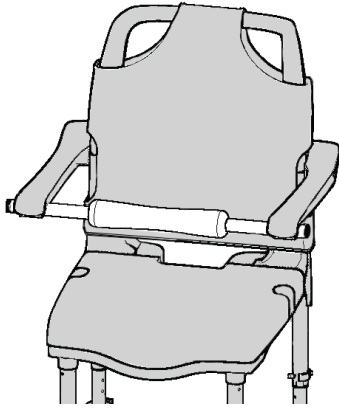
## Assembling



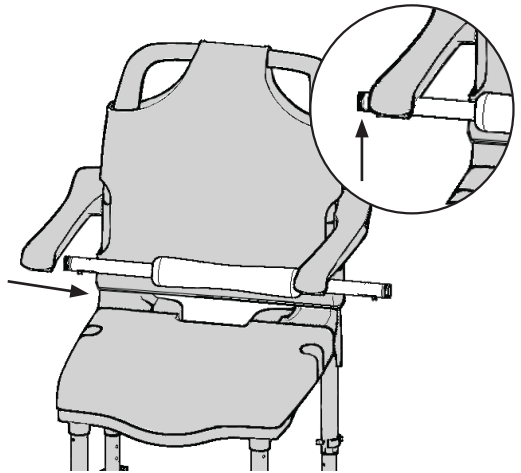
1. The front support should be placed in the holes of the armrests. First press the spring button inwards and then glide the front support in one hole of the armrest.

2. Press the button spring inwards on the other side of the front support and glide it in the hole of the second armrest.

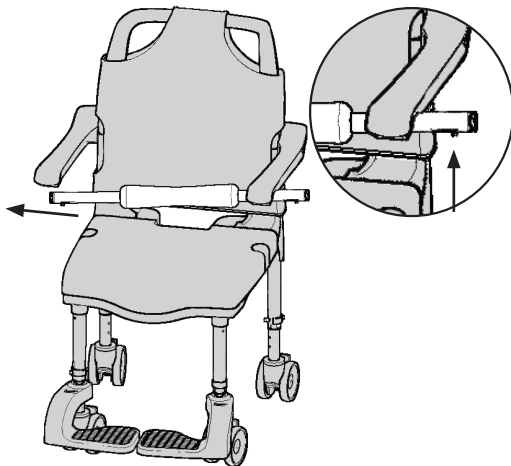




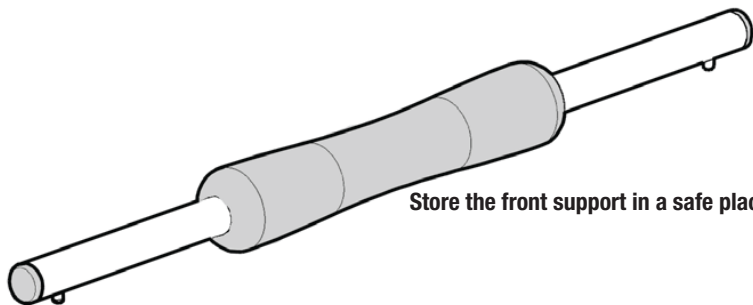
3. Be sure that both spring buttons are facing down and are outside the armrests.



4. To remove the front support. Push the button spring on one side and glide the front support out of the armrest.



5. Push the button spring on the other side and glide the front support out the second armrest.



**Store the front support in a safe place.**

### **Caution:**

Max. load front support: 75 kg / 165 Lbs.

Regularly check that all parts are in place and secured.

Do not sit on the front support.

Do not place the front support in direct sunlight as it might cause a hot surface on the grip of the front support.



### **Disposal**

The plastic parts should be sorted as flammable and steel parts as metal.

### **Warranty**

The manufacturers' warranty on all products is two years.

This warranty is only valid when the front support is installed and used according to the manual.

### **Material:**

Polyester, polyamide, cotton

### **Care of the product:**

The front support is to be wiped clean after use. Clean front support with domestic cleaning materials without abrasive or corrosive properties. Solvents and chlorine should not be applied. The front support can be disinfected with all disinfectants to surfaces that are approved by Health Authorities.

### **Reuse:**

Follow the above procedure. Defective or worn parts must be replaced.

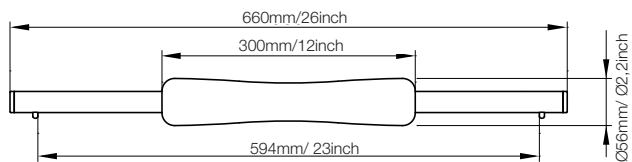


Medical Device Class I

The product meets the requirements of the Medical Devices Directive 93/42/EEC.

Contact your local distributor if you have any questions about the product and its use. See [www.handicare.com](http://www.handicare.com) for a complete list of distributors. Always make sure that you have the right version of the manual. The most recent editions of manuals are available for downloading from our website, [www.handicare.com](http://www.handicare.com).

## Technical information











## **With Coral, you are the designer!**

With one stable and height-adjustable frame combined with optional extras and accessories, Handicare's Coral concept offers numerous possibilities to create individually adapted showering and toileting solutions. All combinations offer safe and flexible user-friendliness, high-quality stainless materials and a contemporary design.

### **When life changes, so does your Coral**

For increased comfort and usability, Coral commode/shower stools can be equipped with back support and/or arm supports. The stool with a toilet seat can be equipped with a bedpan or bucket and soft toilet seats. The back and arm supports can also be replaced with a backrest with folding armrests. For even greater comfort, or to accommodate for changing needs and requirements, the chair can be fitted with castors and footrests. Finally, with the 24" self-propelling wheels adapter set, a Coral commode or shower chair fitted with the backrest with folding armrests can be conveniently transformed into a self-propelled version providing the user with increased independence in showering and toileting situations.

### **Recycling – an important part of the Coral concept**

Naturally, an existing Coral configuration can also be adapted to a "smaller" solution or to fit another user. All dismantled parts and accessories can be reconditioned and re-used in new configurations for other users.



***Handicare offers solutions and support to increase the independence of disabled or elderly people as well as to improve convenience for those who are caring for them.***

The Handicare Group is one of the leading healthcare companies in Europe with own manufacturing organizations and sales companies in Norway, Sweden, Denmark, Germany, the Netherlands, Great Britain, France, Poland, China, Canada and the USA. Handicare's products are also distributed by partners in more than 40 countries worldwide. Our wide range of high-quality products includes various power and manual wheelchairs, scooters, seating systems, a complete easy transfer system and other patient handling aids, stairlifts, car adaptations, rise- and recline chairs, and bathing and toileting products.

Contact your local distributor if you have any questions about the product and its use. See [www.handicare.com](http://www.handicare.com) for a complete list of distributors. Always make sure that you have the right version of the manual. The most recent editions of manuals are available for downloading from our website, [www.handicare.com](http://www.handicare.com)



Handicare AB  
Veddestav. 15, Box 640  
SE-175 27 Järfälla  
SWEDEN

Tel: +46 (0)8-557 62 200  
Fax: +46 (0)8-557 62 299  
E-mail: [info@handicare.se](mailto:info@handicare.se)

Internet: [www.handicare.com](http://www.handicare.com)