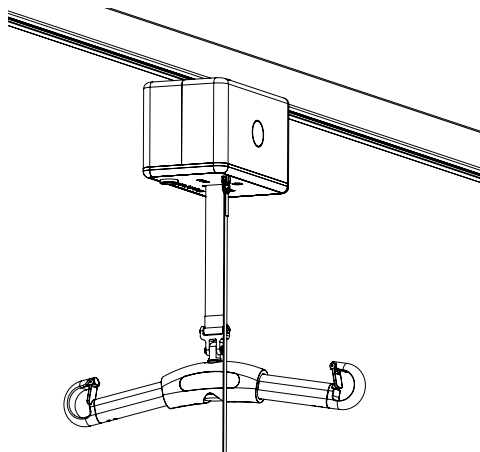


RiseAtlas450/RiseAtlas625

SystemRoMedic™

Valid from serial number:

515120001
515220001
515340001
515720001
515820001
515920001
516020001



RiseAtlas art. no.

50100051
50100052
50100053
50100057
50100058
50100059
50100060

SWL

RiseAtlas450: 205 kg/450 lbs

RiseAtlas625: 285 kg/625 lbs

RiseAtlas is a ceiling lift motor unit (stationary lift unit) that is intended to be used in combination with appropriate accessories, such as rail systems and slings, to lift disabled people. RiseAtlas450 (205 kg) and RiseAtlas625 (285 kg) are both available in two basic versions with different ways of travelling along the rail. The M-version is manually transferred along the rail, while T-version has built-in transfer motor and thereby powered transfer in the rail.

This service manual is a technical document only to be used by trained and authorized service technicians.

The RiseAtlas lifting unit and the RiseAtlas Trolley must be installed and first-time inspected by authorized personnel, inspector or service technician, in accordance with the installation instructions provided by Handicare AB. Periodic inspection of the equipment should be done at least once a year. Original spare parts should be used and service/maintenance of the equipment should be in accordance with manual.



Keep the service manual where it is accessible.

The service manual is a document to be used by technicians in combination with training.

RiseAtlas and accessories are made for indoor use and protection against water is IPX4.

It is strongly prohibited to change or modified the original RiseAtlas product unless stated in this manual.

Table of Contents

1. Use of RiseAtlas by user/attendant

- 1.1 Basic description
- 1.2 Basic product safety
- 1.3 Before use
- 1.4 Trouble-shooting
- 1.5 Emergency situation
- 1.6 Others

2. Installation, assembly, inspection, service and maintenance of RiseAtlas by technicians

- 2.1 Basic product safety
- 2.2 Installation or assembly
- 2.3 Inspection
- 2.4 Service and maintenance
- 2.5 Warranty

3. Access inside RiseAtlas

4. Main parts of RiseAtlas

5. Advanced trouble-shooting of RiseAtlas

6. Resetting the service indicator

7. Tool list

8. Spare part list

9. Changing spare parts RiseAtlas

- 9.1 Test and/or replace hand control
- 9.2 Test and/or replace batteries
- 9.3 Replace main PCB
- 9.4 Replace cover complete
- 9.5 Replace lifting strap

10. Component list RiseAtlas

11. Inspection RiseAtlas

- 11.1 Inspection check list RiseAtlas

12. Maintenance RiseAtlas

13. Technical information RiseAtlas

14. Logbook RiseAtlas and installation certificate

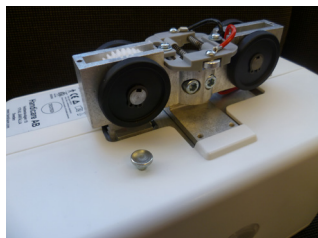
1. Use of RiseAtlas by user/attendant

1.1 Basic description

RiseAtlas is a ceiling lift motor unit (stationary lift unit) that is intended to be used in combination with appropriate accessories, such as rail systems and slings, to lift disabled people. RiseAtlas450 (205kg) and RiseAtlas625 (285kg) are both available in two basic versions with different ways of travelling along the rail. The M-version is manually transferred along the rail, while T-version has built-in transfer motor and thereby powered transfer in the rail.

RiseAtlas features a unique charging solution, with hand control charging as the standard. The ceiling lift unit can be set to function either with end point charging or with in-rail charging and, if the rail system is modified or if the lift unit is moved to another system with different functionality, the settings for charging of the ceiling lift unit can easily be changing the dip switch settings on the printed circuit board and locking of connectors on trolley.

The unit, a medical device, shall be used by trained attendant in hospitals, care homes and in home care.



RiseAtlas450T, transfer motor
and prepared for in-rail-charge.

1.2 Basic product safety

Using of RiseAtlas must be done by trained professionals with thorough understanding of the equipment and lifting techniques of disabled people.

Training is done by Handicare (or Handicare distributor) and user/attendant shall always read the manuals for all assistive devices before lifting /transfer.

- Products and accessories are made for indoor use and no direct contact with water is allowed.
- Under no circumstances may safe working load be exceeded.
- Lifting accessories must be properly fitted in relation to the user's needs and functional ability and only approved accessories are to be used.
- Special care must be taken when using strong power sources, such as diathermy and similar so that for example diathermy cables are not placed on or near the lift unit. If in doubt, contact person responsible for the equipment or the supplier.
- The lift unit shall not be used in areas where flammable material may exist, such as in areas where flammable material is stored.
- Only equipment installed, assembled, inspected, serviced and maintenance by authorized personnel shall be used by user/attendant.
- Never leave a user unattended in a lifting situation.
- Always pay attention to strange noise or sound from the lift unit and cancel operation if appearance.

1.3 Before use

The user/attendant shall perform following inspections before use.

- Inspect the lift for signs of wear and damage.
- Check battery charge level.
- Check that correct accessories are used and correct attachment has been made.
- Ensure that lifting environment is safe.

Note!

If inspection reveals any effect, wear or other damage that jeopardizes the safety of RiseAtlas, the owner should immediately be notified. In the event of immediate danger to safety, the RiseAtlas should immediately be taken out of service. It may then not be used until the deficiency has been eliminated.

1.4 Trouble-shooting

If the lift is not working, check to ensure the following:

- Ensure ON-function by pressing ON button.
- Check that the emergency stop is not pulled out.
- Check that the battery charging is not in progress, only when RiseAtlas is in charger station or end point charging.
- Check that the battery is charged.
- Check that the lift strap is pre-loaded.
- Check that all cables are properly and securely connected.
- Check that the lift strap is not twisted or wrong angle.

If no function, contact your service support.

1.5 Emergency situation

- If an emergency situation has occurred and the emergency stop has been activated by the operator, please call service support. Do not continue operation of the lift.

1.6 Others

- Warranty only applies if repairs or alternations are made by authorized technician and also of the use of original spare parts.
- To ensure optimal function, the lift must be inspected regularly by authorized technician.
- If there are issues not covered by this manual, please call service support.

2. Installation, assembly, inspection, service and maintenance of RiseAtlas by technicians.

2.1 Basic product safety

Installation, assembly, inspection, service and maintenance of RiseAtlas must be done by authorized personnel in accordance with instructions provided by Handicare AB.

An authorized person (service technician, inspector etc.) shall be trained by Handicare (or Handicare distributor) and shall be well acquainted with the design, use and care of the lift.

Upon receiving and unpacking of product or parts, ensure that:

- Content of package is in accordance with table of contents.
- Inspect that there are no signs of damage on product.
- Always read the manual and it is essential with thorough understanding of product.
- Manuals and manual emergency lowering key are readily accessible near the product.

2.2 Installation or assembly

Installation or assembly of products shall be performed by authorized personnel if not stated otherwise in accompanying instructions. Installation or assembly must be done in accordance with instructions provided by Handicare AB.

- The product or accessory shall only be used on approved Handicare equipment.
- Remove any transportation devices before installation, e.g. emergency stop clip.
- Person responsible for installation or assembly shall document the procedure in the product logbook.
- Ensure that product is installed in a safe environment with absence of water, strong power sources and flammable material.

First-time installation or first-time assembly shall be followed up by a first-time inspection.














Many products require first-time charging procedure, read charging chapter in attached manual.

2.3 Inspection

Inspection of RiseAtlas shall be performed by authorized personnel and inspections are to be made at the following scenarios.

- First-time inspection – inspection that shall be performed when first-time installation or first-time assembly has been made to equipment.
- Periodic inspection – inspection that is performed annually at least every year on the equipment.
- Verification inspection – inspection to be performed when essential spare parts has been changed.

A checklist and more detailed description for the inspection is presented in chapter 11. The different inspection categories contain:

- **Visual inspection of RiseAtlas**  
- **Functionality testing of RiseAtlas**  
- **Safety testing of RiseAtlas**  
- **Load testing and speed testing of RiseAtlas**  
- **Overhead systems**     

Note!

Any observations, including defects and damage, of importance for the safety of the lift should be noted in the RiseAtlas logbook which should be retained by the person responsible for the servicing/maintenance of the RiseAtlas. Also the date when corrective actions are taken, in response to noted observations, should also be noted in the logbook.

Defects and damage should be reported back to the manufacturer for action and this feedback should be reported in the logbook.

Every inspection performed on the RiseAtlas shall be noted in the RiseAtlas logbook and a record, such as Inspection list chapter 11.1, shall be included. The inspection record should be retained safely for examination in the event of an incident.

If inspection reveals any effect, wear or other damage that jeopardizes the safety of RiseAtlas, the owner should immediately be notified. In the event of immediate danger to safety, the RiseAtlas should immediately be taken out of service. It may then not be used until the deficiency has been eliminated.

2.4 Service and maintenance

Service and maintenance shall be conducted by authorized personnel and in accordance with manuals. The equipment is to be checked at least annually through periodic inspection and service/maintenance need is usually a result of the inspection. Every action taken on the equipment shall be noted in the logbook and logbook shall be kept, together with manual, readily accessible close to equipment. Estimated life length for equipment is at least 10 years.

2.5 Warranty

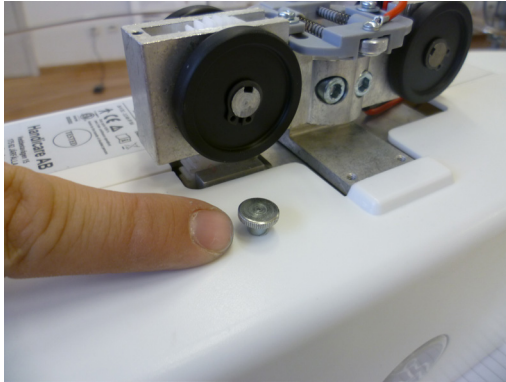
Warranty for Handicare equipment does not include wear and tear parts. Equipment shall be serviced and maintenance according to manual.

3. Access inside RiseAtlas

Only authorized technicians shall open the covers of RiseAtlas in order to get access inside RiseAtlas.
The two covers of RiseAtlas are opened by removing two screws at the top by hand and pull the covers gently apart.

Closing the cover,

Close the two covers carefully and ensure that cables and wirings are not squeezed by covers. After covers are in place than attach screws by hand.



4. Main parts RiseAtlas

In order to get access to the main parts, please see chapter 3.

The main parts of RiseAtlas are:

1. Hand control

The RiseAtlas is turned Off/On with the hand control and also the lift movement Up/Down is controlled by hand control.

Please see chapter 9.1 Test and/or replace hand control.



2. Electrical system

a. Main Print Circuit Board (PCB),

The PCB controls functionality of RiseAtlas.

Please see chapter 9.3 Replace circuit board

b. Diagnostic circuit board,

The diagnostic card controls statistics of RiseAtlas.

Part of bottom plate and please see chapter 9.4 for replacement.

c. Wire harness motor

The wire harness connects the different electrical components of RiseAtlas.

Wire harness motor has component no.: 90002940

d. Micro switch up,

The micro switch up shuts off winding movement if H-adapter hits the switch or if the lift strap twist or tilts.

Component no.: 90001167

e. Micro switch down,

The micro switch down shuts off winding movement when all lift strap is winded out and prevents the motor from winding the lift strap the wrong direction. Component no.: 90001430

f. Micro switch pre tension,

RiseAtlas needs to be pre loaded in order to be maneuvered up or down and the switch secures that preloading is applied and located behind PCB. Component no.: 90001430

g. LED indicator,

LED-indicators shows battery status and service need. Integrated part of bottom plate, please see chapter 9.4 for replacement.

h. Hand control input plug,

The hand control connects to the hand control input plug and it is a integrated part of bottom plate. Please see chapter 9.4 for replacement.

i. Emergency stop,

The emergency stop device shuts off power between battery and PCB when activated. It also functions as an electrical emergency lowering when pulled out. See component list, chapter 10, for replacement.

j. Battery,

The battery of the RiseAtlas is a 24VDC NiMH environmental friendly battery with 3,2 Ah capacity. Please see chapter 9.2 Test and/or replace battery.

k. Fuse,

Bought separately, use only 20A.

l. Night lamp,

By pressing the ON-button for 3 seconds the night lamp will start. Integrated part of bottom plate, please see chapter 9.4 for replacement.

3. Mechanical system

a. Lift strap w. guiding,

Please see chapter 9.5 for replacement.

b. Motor w. chassis,

See component list, chapter 10, for replacement.

c. Transfer motor w. transmission,

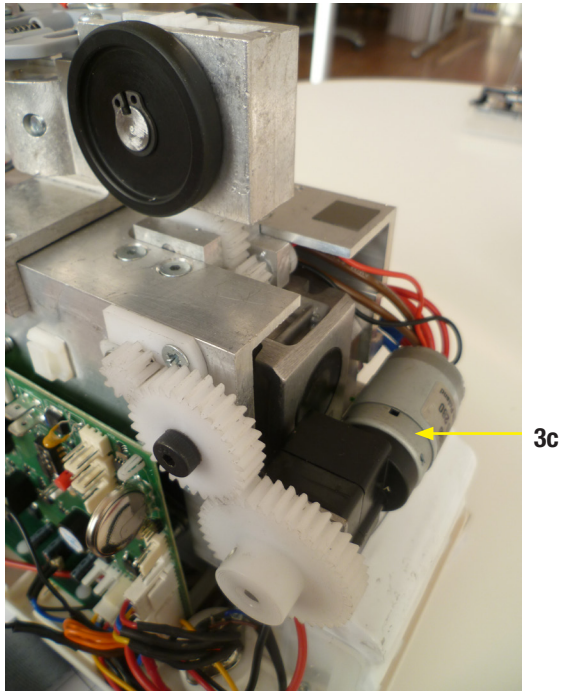
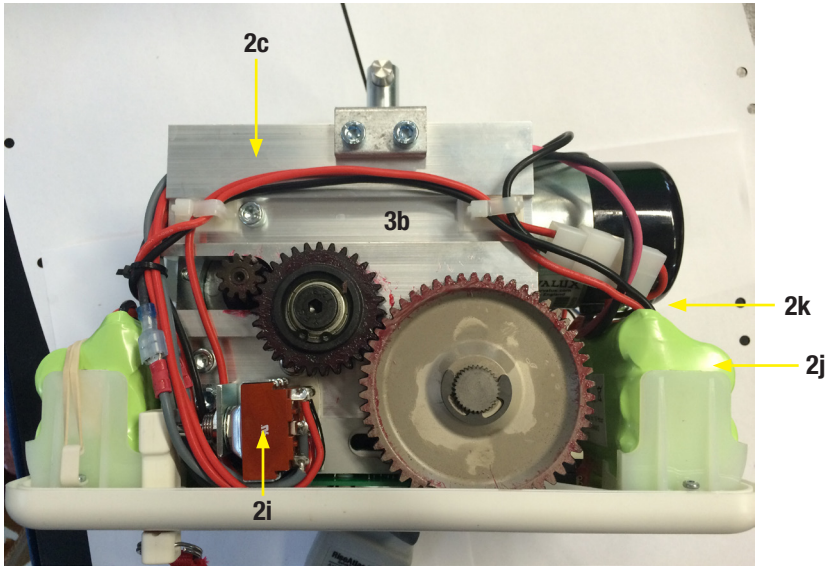
Separate document.

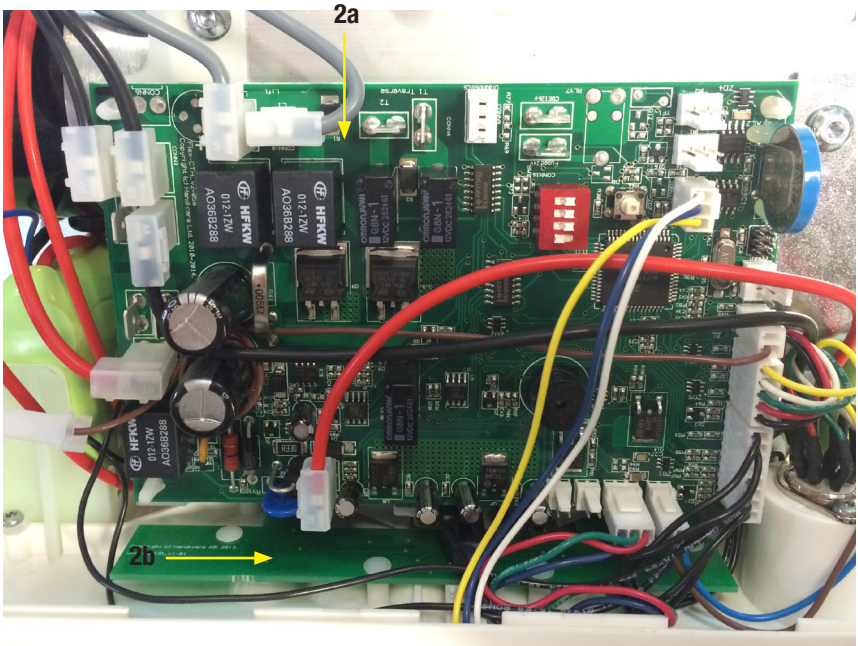
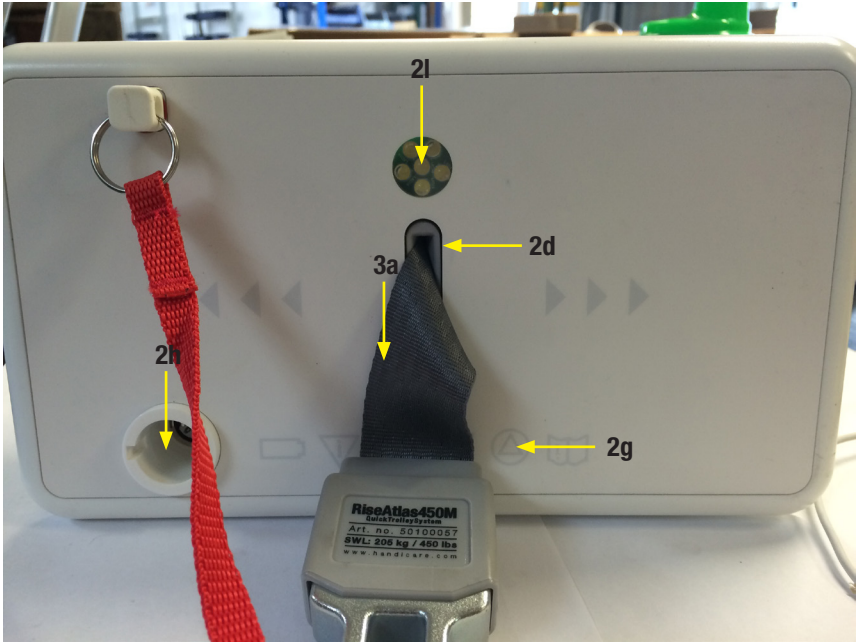
4. Charger

The charger is a separate item and detailed function is described on the back side of the charger.

Always delivered with the parts for hand control charging.







5. Advanced trouble-shooting RiseAtlas

Only authorized technicians shall perform this operation on RiseAtlas and thorough understanding of the product is a must. Access inside RiseAtlas is described in chapter 3 and necessary tools are described in chapter 7.

It is understood that ordinary Trouble-shooting, please see chapter 1.4, has been performed before the Advanced trouble-shooting starts.

Start the operation by Access inside RiseAtlas, chapter 3.

A. Check that all wirings are properly connected and also check that there is

no visible damage to wires.

- Improper connection shall be corrected.
- Damage wiring shall be replaced.

B. Check fuse (20A) upon chassis.

- Bad fuse should be replaced and always use new 20A fuse. Littelfuse 257 20/32V.

C. Check the PCB for:

- Burn marks or burn odours.
- o Bad PCB shall be replaced – see chapter 9.3.
- Check that all wiring connectors on the PCB are correct.
- o Improper connection shall be corrected.
- Check that the DIP-switches on the PCB are correct.
- o Improper DIP-switch positions are corrected.

RiseAtlas450/625, M/T		
	End rail/Hand control charged (default setting)	In-rail-charge
no. 1:	ON	ON
no. 2:	ON	OFF
no. 3:	ON	ON
no. 4:	OFF	OFF

1: Dictates what kind of batteries

ON: NiCd batteries

OFF: NiMH

2: Dictates what kind of charging the unit needs

ON: End rail/hand control-charge

OFF: In rail charge

3: What service interval the is unit preset on

ON: One year

OFF: Six months

4: RiseAtlas

D. Check limit switches for functionality by using a finger and voltmeter.

- The micro switch up is normally open (no signal) and when activated, by hook or tilted band, it should give a signal (closing) and stop winding movement.
 - o Bad switch should be changed.
- The micro switches down is normally closed (signal) and when closed, by end of strap (no winding left on drum), it should give no signal and stop winding movement.
 - o Bad switch should be changed.
- The micro switch pre tension is normally open (no signal) and when activated, by tension on the lift strap, it should give a signal and allow winding.
 - o Bad switch should be replaced.

When checking switches there might also be need for adjustment, especially for the micro switch down. Ensure that there are at least 2 laps, overlapping, of strap on the drum before micro switch down breaks the winding movement. More laps results in decreased lifting height of RiseAtlas.

Above actions and measurements covers most of any potential electronic issues.

Also check that emergency switch moves correctly.

Mechanical movements are checked by running the motor and check:

1. Motor
2. Transmission gears.
3. Single - Fault gear.

All screws and bolts should be tightened. If there is no positive result of the advanced trouble shooting, please contact service support.

6. Resetting the service indicator

Only authorized technicians shall perform this operation on RiseAtlas and thorough understanding of the product is a must. Access inside RiseAtlas is described in chapter 3 and necessary tools are described in chapter 7. The service indicator can be reset via hand control or via PCB-card.

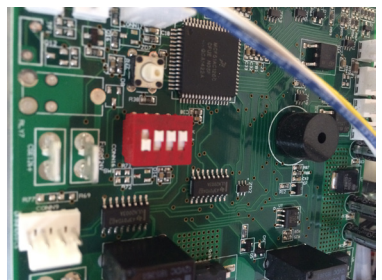
Resetting the service indicator via hand control (need for 6-button hand control),

Ensure that power of the RiseAtlas is ON and then press simultaneously ON-button and both SIDE-buttons (all together 3 buttons) for 5 seconds. This will reset the service indicator.

Resetting the service indicator via PCB-card,

Start the operation by Access inside RiseAtlas, chapter 3.

Ensure that power of the RiseAtlas is ON and then press the red button for 11 seconds. This will reset the service indicator.



7. Tool list RiseAtlas

These are the recommended tools to RiseAtlas in order to perform basic service:

1. Torx key no.: 6 and 10
2. Allen key size no.: 2, 2.5 and 5.
3. Pliers.
4. Circlip pliers.
5. Phillips Screwdrivers, small.
6. Flat-bladed Screwdriver, small.
7. Voltmeter.



8. Spare part list RiseAtlas

Spare parts no.	Article	Unit	Components
81000001	Battery RiseAtlas	1 pce	1 x battery pack
81000002	Circuit board (not for 50100051, 50100052, 50100053)	1 pce	1 x circuit board 1 x thermistor cable 1 x fuse holder RiseAtlas 1 x fuse holder minus cable
81000003	Circuit board, SmartPark (only for 50100052, 50100053)	1 pce	1 x circuit board
81000019	Circuit board, high humidity (only for 50100051)	1 pce	1 x circuit board
81000003	Lift strap RiseAtlas	1 pce	1 x lift strap
81000006	Cover complete RiseAtlas (not for 50100051)	1 set	2 x casing top half 2 x knurled screw high DIN464 M3x8 2 x label Handicare round
81000009	Wheels	1 pair	2 x circlip 10mm 2 x trolley wheel 2 x key
81000032	Hand control 6-buttons	1 pce	1 x Hand control charger station
81000031	Hand control 4-buttons	1 pce	1 x Hand control charger station
80100130	Hand control Tester Linak	1 pce	
81000039	Graphite wheel RiseAtlas		2 x screw 2 x trolley charging wheel graphite 2 x trolley charging wheel bracket



81000001



81000002/81000003/
81000019



81000003



81000031

81000032

Spare parts no.	Article	Unit	Components
81000017	Bottom plate incl. display	1 pce	1 x diagnostic display 6 x Screw 2,9x9,5 fz 4 x threaded insert 1 x emergency light 1 x interface plate 2 x battery casing 4 x screw M3x6 fzb 1 x control jack RiseAtlas 1 x night light cable RiseAtlas 1 x diagnostic cable RiseAtlas 1 x casing bottom 4 x screw M3x20 fzb
81000040	Emergency stop low position	1 set	1 x RiseAtlas lower limit bracket adjustable 1 x screw M3x30 fzb 1 x torsion board 1 x torsion spring 0,7x3,6x10 2 x screw 2x16 fzb 1 x threaded insert 1 x MC6S M3x16 fzb 2 x screw M2x4 fzb 2 x micro switch 1 x RiseAtlas lower limit bracket cable 1 x interface plate 1 x screw M3x8H fzb 1 x washer
81000041	Emergency stop indicator	1 set	1 x O-ring 1 x switch lever
81000010	Hex key 3 mm	1 pce	1 x 6-Hex key
81000012	Charger	1 pce	1 x charger

9. Changing spare parts RiseAtlas

9.1 Test and/or replace hand control, spare part no: 81000004 or 81000005

The test and/or replacement of hand control can be performed without opening the RiseAtlas cover.

Unplug the hand control from the lift unit by pulling and wiggling the connection plug by hand.

- Check that the entire hand control cable is free from damage and that connection grommets are intact.
- Check that no pins are broken or bent in the connection plug.
- Make a functional test of the hand control using:
 - o Another RiseAtlas lift unit or;
 - o Test box according to pictures.

A bad hand control should be replaced and spare part number is 81000031 for the 4-button and 81000032 for the 6-button.

Attach the new hand control by pressing it firmly into the lift unit and ensure that the connector reach the bottom.



A functional test, see chapter 2.3.2 shall be performed of RiseAtlas to ensure proper function and notes of change should be presented in the lift unit log.

The bad hand control is recycled through nearest recycling station.



9.2 Test and/or replace Battery, spare part no: 81000001

Before testing and/or replacing batteries, ensure that proper charging has been made according to manual. Correct charging should be indicated with LED on both display and charger unit when charger is attached and in end of point charging. Important is that emergency stop is out (not activated) and that charging procedure has been made for at least 30 minutes. RiseAtlas shall be fully functional after charging and a green LED indication shall appear on the display. If RiseAtlas after charging is indicating low voltage, an audible alarm sound together with orange LED indication on the display, the batteries of RiseAtlas should be tested and/or replaced. If RiseAtlas is in mode for in-rail-charging the display will signal flashing orange and please check charge connection to rail.

In order to test and/or replace batteries there is a need to open the RiseAtlas cover, see chapter 3 Access inside RiseAtlas.

Handling of battery and other electronics shall be performed with caution and the use of ESD protection.

After removing the RiseAtlas cover, check the following;

- All cables and connectors are correctly attached.
 - o If loose connector is found, attach correctly and reassemble the RiseAtlas covers.
- Disconnect the wiring of the battery and disassemble the batteries from the plastic brackets, see picture.
 - o Measure cross the black and red wire on the battery side, should be 24 – 25 VDC if fully charged.
- Attach the charger to the RiseAtlas unit and check charger voltage;
 - o Measure cross the black and red wire, should be 39 – 41 VDC when the charger is attached.

If there is correct charger voltage and low battery voltage – replace the battery with new battery, spare part no: 81000001.

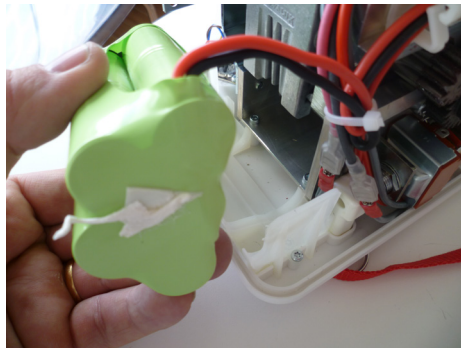
Attach the new battery according to picture and connect terminal. Use cable tie to ensure that the battery cables don't touch with the gears. The old battery can be recycled at a recycling station as a NiMH-battery, environmental friendly.

Before reassembly the RiseAtlas covers, ensure that all connectors are correctly attached and that there are no obstacles.



Set RiseAtlas on charge for at least 30 minutes and make a functional control of the lift unit according to chapter 2.3.2. Notes of change should be presented in the lift unit log.

Please contact customer service if there are further issues regarding the battery change.



9.3 Replace circuit board, spare part no: 81000002 or 81000033

The circuit board, spare part no: 81000002, 81000033 is used for the **RiseAtlas**.

The board Flex-CTH_V2-05a is delivered with the available off hardware and program.



Can only be used with right thermo cable.

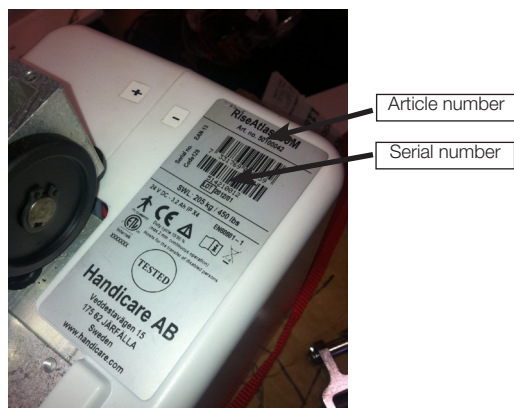
9.3.1 Replace circuit board for RiseAtlas,

The spare part circuit board, 81000002 or 81000033 (depending on model), is the latest version provided and this version covers all RiseAtlas at the market. There is a need for updating the cables (hardware) for older versions of RiseAtlas and upgrade kit is included in this spare part.

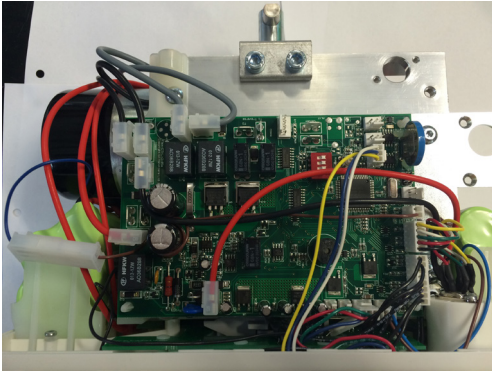
In order to replace circuit board the covers need to be open, see chapter 3 Access inside RiseAtlas of the service manual. Handling of all electronics shall be performed with caution and the use of ESD protection.

Identify your RiseAtlas,

RiseAtlas article number and serial number is printed on the cover of lift unit.



1a) **Change of circuit board RiseAtlas,**



The picture shows an example of RiseAtlas circuit board RiseAtlas450MQ (manual motor). Important is to disconnect and connect all wirings properly – use marking if necessary.

After removing the RiseAtlas cover, please check and perform the following operations:

- Check if all cables and connectors are correct attached.
- If loose connector is found, attach correctly and reassembly the RiseAtlas covers. Check functionality in order to establish if it is necessary to change PCB.
- Disconnect the battery or take away the fuse. Important that the power supply is disconnected.
- Remove the old PCB-card from the RiseAtlas by:
 - disconnecting all wirings from PCB-card.
 - Take away the old PCB-card by pressing the plastic clips and leave the plastic clips.

- Attach the new PCB-card, spare part no: 81000002, by;
- Use the existing plastic clips and ensure correct connection.
- Attach wiring according to disassembly.
- Ensure correct DIP-switch configuration.
- Attach the battery and make a functional check before closing the cover of lift unit.

If everything is OK and functional – please carry on with testing.

If NOT – problems are to be found elsewhere and please contact customer service.

- Before reassembly of RiseAtlas covers, ensure that all connections are correctly attached and that there are no obstacles.

A functional, safety and load test, according to 2.3.2, 2.3.3 and 2.3.4, shall be performed on RiseAtlas to ensure proper function and notes of change should be presented in the lift logbook.

1b) Change of circuit board RiseAtlas and up-grade kit,

In addition to instructions in 1a), to be carried out, there is also a need to upgrade the wirings and connectors of the electronics in order for correct functionality towards the new card. Functional, safety and load testing shall be performed in accordance with 1a).

9.4 Replace bottom plate incl. display, RiseAtlas. Spare part no: 81000017

In order to replace bottom plate there is a need to open the RiseAtlas cover, see chapter 3 Access inside RiseAtlas.

Handling of electronics shall be performed with caution and the use of ESD protection.

The bottom plate incl. display, spare part no: 81000017, is complete in its delivery.

Remove the bottom plate by:

1. Remove batteries.
2. Disconnect PCB cables from bottom plate.
3. Remove H-Adapter
- 4 A. Disassemble the chassis from the bottom plate by removing the four screws from inside the chassis, see picture, and check the emergency stop, to be reused, and also the end-of-strap limiting switch, to be reused.
- 4 B. Remove interface plate, unscrew the three screws underneath the bottom plate and both screws that holds the lower limit switch.
5. Change the bottom plate and start by fitting the emergency stop and limit switch, see item 4.
6. Tighten the chassis screws.
7. Connect the cables.
8. Assemble the batteries.
9. Attach new interface plate and remount h-adapter. Don't forget the safety pin!

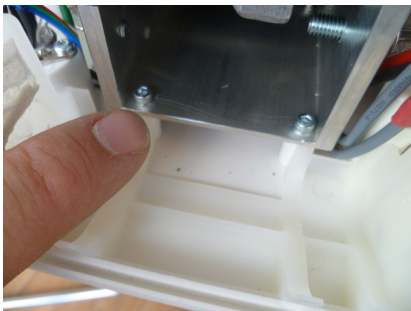
Make an initial function test before closing the cover.

Before reassembly the RiseAtlas covers, ensure that all connectors are correctly attached and that there are no obstacles.

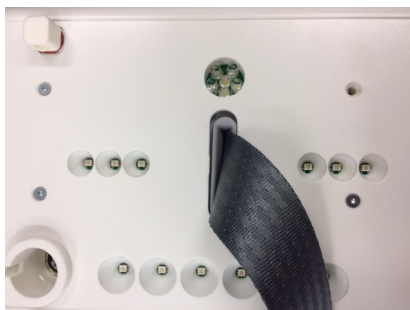


A functional, safety and load test, according to 2.3.2, 2.3.3 and 2.3.4, shall be performed of RiseAtlas to ensure proper function and notes of change should be presented in the lift logbook.

The old parts can be recycled at the nearest recycling station



A: Older version



B: New version

9.5 Strap change RiseAtlas. Spare part no: 81000003

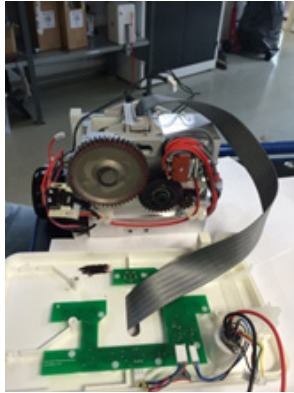
1. Remove covers (see chapter 3)
2. Remove h-adapter
3. Extract strap with hand control or emergency lowering
4. Deactivate micro switch in order to extract all strap until opening in shaft is revealed



5. Remove batteries and main board (see chapter 9.2, 9.3)
6. Remove emergency lowering strap
7. Remove interface plate
8. Unscrew all four screws (pillar!)

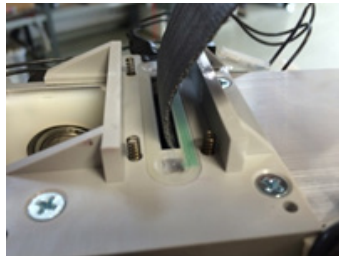
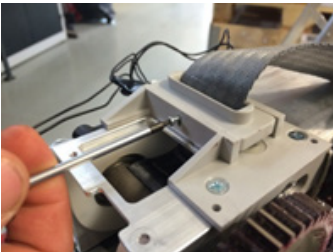


9. Remove battery holder on side with big gear
10. Remove micro switches that regulate the strap length
11. Remove the bottom plate from the chassis, do not contaminate the strap with grease



12. Remove the strap guide

13. Use caution while removing the guide, the four springs can easily fall off



14. Remove the strap from the shaft by taking out the safety pin and pulling the out the strap

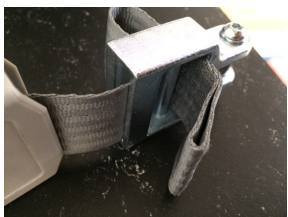


15. Mount the new strap, do not forget the safety pin. The pin goes in the bigger opening in the shaft.
16. Mount the bottom plate to the chassis, do not pinch any cables.
17. Mount the micro switch device that regulates the strap length. This component might need some adjustment in the end while regulating the strap length.
18. Mount the battery holder.
19. Mount the main board and batteries.
20. Mount new interface plate

21. Mount the h-adapter, do not forget the safety pin



1



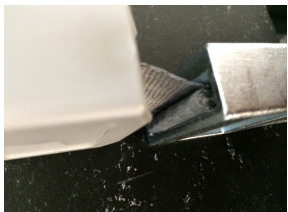
2



3



4



5



6

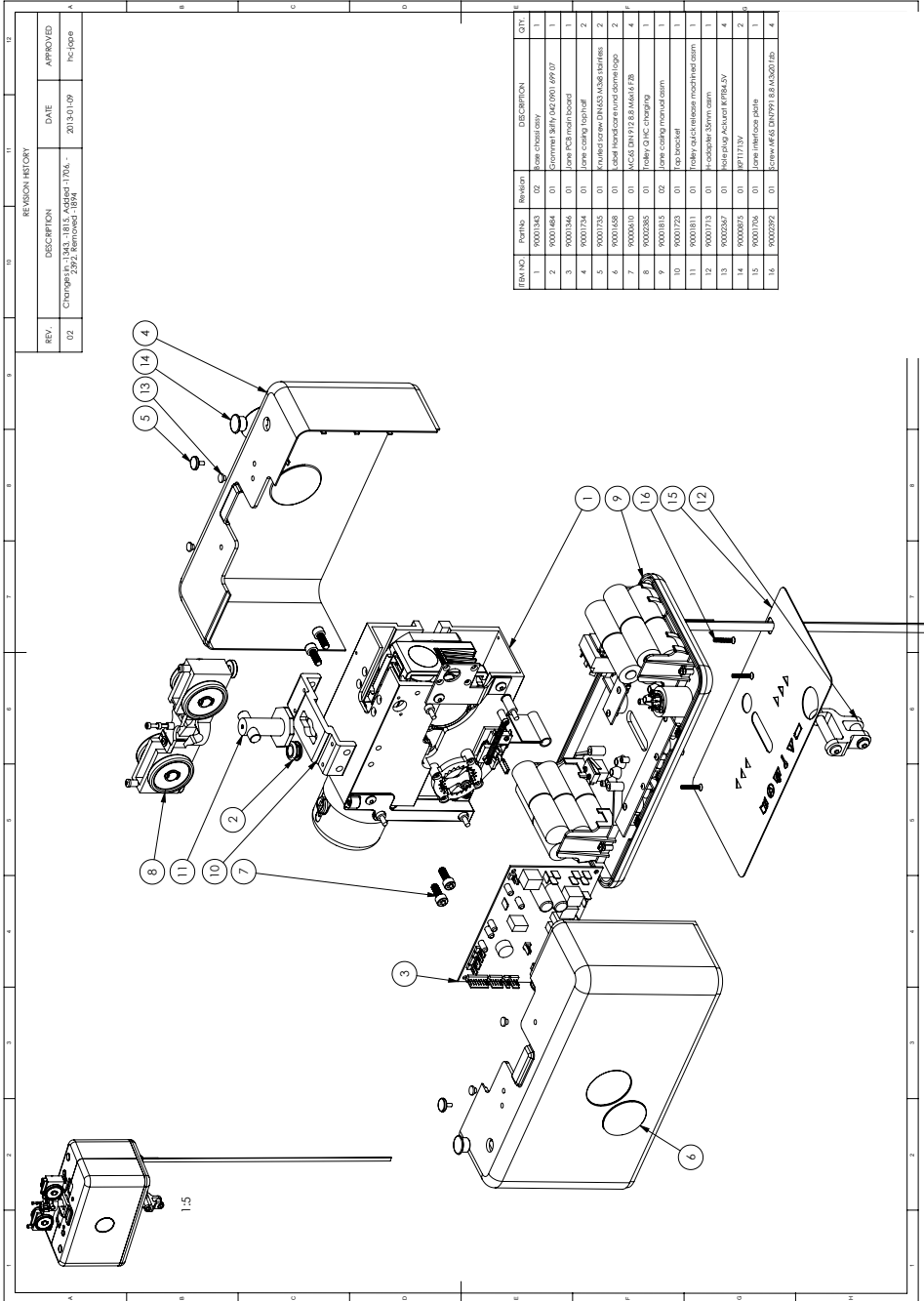
22. Make a verification inspection (see chapter 11)



A functional, safety and load test, according to 2.3.2, 2.3.3 and 2.3.4, shall be performed of RiseAtlas to ensure proper function and notes of change should be presented in the lift logbook.

The old parts can be recycled at the nearest recycling station.

10. Component list - RiseAtlas 50100057



REVISION HISTORY		
REV.	DESCRIPTION	DATE
02	Changes in 3, 4, 5, 14, 15, Added 17, 18, 19, 20, 21, 22, removed 13, 14, 15, 16, 17, 18, 19, 20, 21, 22	2013-01-09

FRN NO.	PartNo	Revision	DESCRIPTION	QTY.
1	90001343	02	zinc coated steel	1
2	90001464	01	Stromer 3/8" x 1/4" 042 0901 894 07	1
3	90001346	01	zinc PCB main board	1
4	90001734	01	zinc coating top shell	2
5	90001735	01	zinc coating bottom shell	2
6	90001458	01	zinc coating DIN453 M3x8 10x10mm	2
7	90000610	01	zinc coating DIN453 M3x8 10x10mm	2
8	90000285	01	zinc coating DIN453 M3x8 10x10mm	2
9	90001815	02	zinc coating manual arm	1
10	90001723	01	top bracket	1
11	90001811	01	holder valve release mechanism	1
12	90001713	01	zinc coating 35mm arm	1
13	90000267	01	zinc coating K17415Y	4
14	90000875	01	zinc coating K17415Y	2
15	90001706	01	zinc coating plate	1
16	90000292	01	zinc coating DIN453 M3x8 10x10mm	4

RiseAtlas 50100051

REV.	DESCRIPTION	DATE	APPROVED

ITEM NO.	PartNo	Revision	DESCRIPTION	QTY.
1	90002411	01	Base chassis assy IP	1
2	90001484	01	Grammet Shilly 042 0901 899 07	1
3	90002136	01	Jane PCB main board (humiseal)	1
4	90001794	01	Jane casing top half	2
5	90002144	01	Knurled screw DIN653 M3x10	2
6	90001658	01	Label Handicare rund some logo	2
7	90002076	01	MCS DIN 9128 B M6x16 A2 70	4
8	90002412	01	Trolley Q HIC charging IP	1
9	90002413	01	Jane casing manual assm IP	1
10	90001723	01	Top bracket	1
11	90002130	02	Trolley quick release long assm	1
12	90002414	01	H-adapter 30mm assm IP	1
13	90002150	01	RiseAtlas IP protection assm	1
14	90001899	01	Screw MIS DIN963 M4x10 PA	4
15	90000875	01	IKPT1713V	2
16	90001706	01	Jane interface plate	1
17	90002429	01	Screw FAS ISO7991 M3x20 A2	4

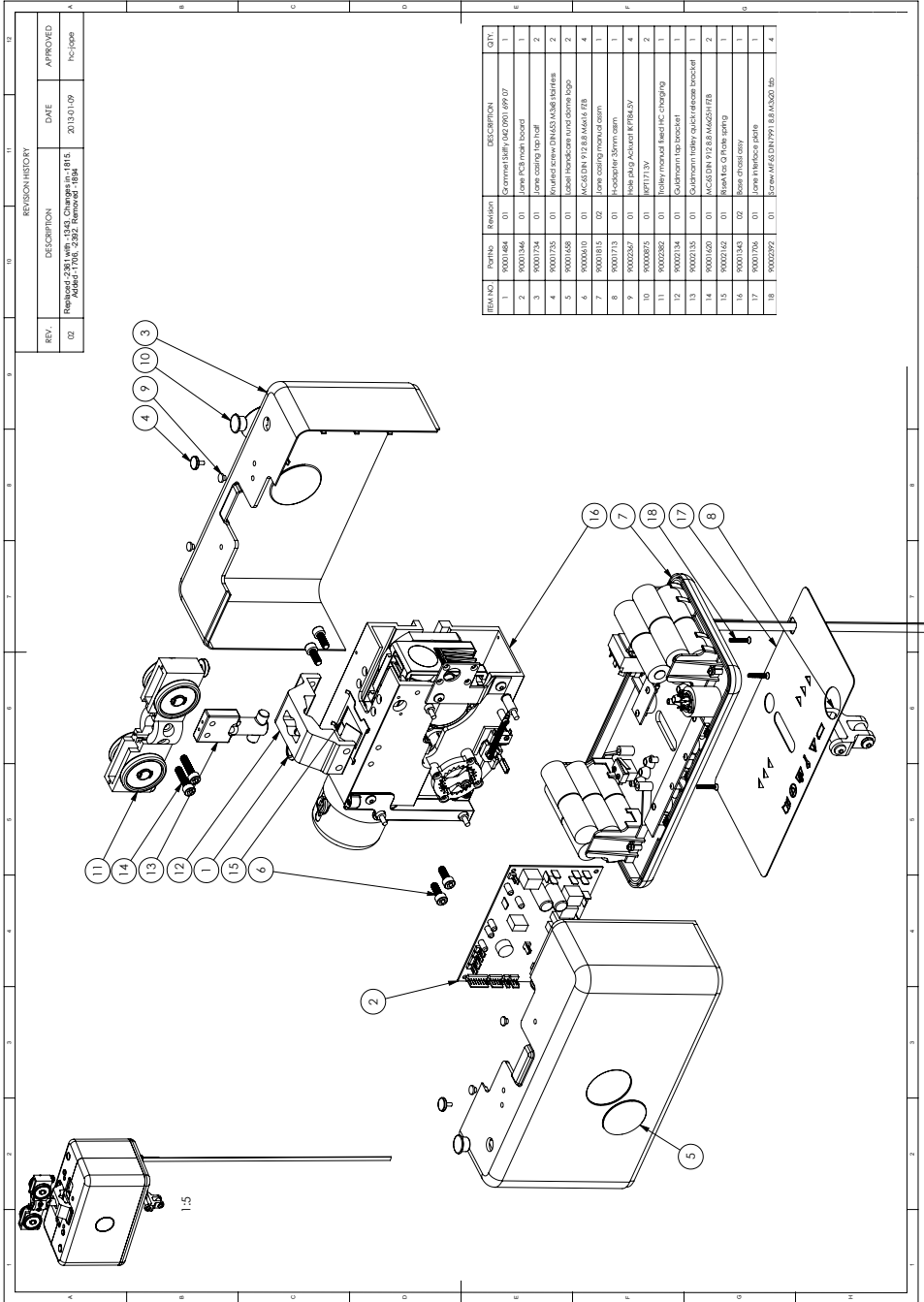
RiseAtlas 50100058, 50100061

REV.	DESCRIPTION	DATE	APPROVED
02	Replaced -2361 with -1343, Changes in -1815, Added -1706, -2392, Removed -1884	2013-01-09	nc-jppc

ITEM NO.	PartNo	Revision	DESCRIPTION	QTY.
1	90002392	01	Screw M4x8 DIN7991 8.8 Mx20 Irb	4
2	90001495	01	Screw M4x8 DIN7991 8.8 Mx10 Irb	10
3	90001490	01	Shoulder bolt ISO7379 12.9 6xM5x12	1
4	90001484	01	Grommet Siffly 042.0901 699 07	1
5	90001497	01	TraVERSE gear upper assy.	1
6	90001462	01	Bush half cup	2
7	90001466	01	Gear traverse 2	1
8	90001467	01	Gear traverse 1	1
9	90001340	01	TraVERSE motor	1
10	90001346	01	Jane PCB main board	1
11	90001465	01	Gear traverse 3	1
12	90000610	01	MC45 DIN 912.8.8 Mx16 F2B	4
13	90001742	02	Jane casing assm	1
14	90001734	01	Jane casing top half	2
15	90001658	01	Label Handicare rund dome logo	2
16	90002387	01	Trolley IHC charging	1
17	90001343	02	Base chassis assy	1
18	90001893	01	Knurled screw High DIN464 Mx8	2
19	90001342	01	Extrusion pack mounting	1
20	90001620	01	MC45 DIN 912.8.8 Mx16 F2B	2
21	90001713	01	I-Adapter 35mm assm	1
22	90001706	01	Jane interface plate	1
23	90002004	01	Screw F55 DIN 913 M4x6 Irb	1
24	90000875	01	IKP11713V	2
25	90002347	01	Hole plug Actural RP184.5V	4

DETAIL A
SCALE 1 : 2

RiseAtlas 50100059



REVISION HISTORY			
REV.	DESCRIPTION	DATE	APPROVED
02	Revised 2.301 with 1.84, Change in B/E, Added 1.700, 2.302, removed 1.854	2013-01-09	fc-cope

ITEM NO.	REF'S	REVISION	DESCRIPTION	QTY
1	9001464	01	Caromel 1509, 142, 0901, 899, 07	1
2	9001346	01	Lower PCB main board	1
3	9001794	01	Lower casing top half	2
4	9001735	01	Motorized frame CHMS3 MMS 162 HFS	2
5	9001458	01	Label backdoor ring drive top	2
6	9000010	01	MC2518 912 B MMS/A 178	4
7	9001815	02	Lower casing motor cut down	1
8	9001713	01	Motorized frame cam	1
9	9002047	01	Motorized frame KPM3.5V	4
10	9000005	01	Motorized frame KPM3.5V	2
11	9002092	01	Motorized frame KPM3.5V	2
12	9002134	01	Motorized frame KPM3.5V	3
13	9002135	01	Motorized frame KPM3.5V	3
14	9001450	01	MC2518 912 B MMS/A 178	2
15	9002142	01	Motorized frame KPM3.5V	3
16	9001343	02	Lower casing ring	1
17	9001704	01	Lower casing plate	1
18	9002092	01	Motorized frame KPM3.5V	4

11. Inspection RiseAtlas

Inspection of shall be performed by authorized personnel and inspections are to be made at the following scenarios.

- **First-time inspection** – inspection to be performed when first-time installation or first-time assembly has been made to equipment. Inspection includes all categories below.
- **Periodic inspection** – inspection to be performed annually at least every year on the equipment. Inspection includes all categories below.
- **Verification inspection** – inspection to be performed when essential spare parts have been changed and necessary inspection is stated in chapter 9.

Note!

Any observations, including defects and damage, of importance for the safety of the lift unit should be noted in the RiseAtlas logbook which should be retained by the person responsible for the servicing/maintenance of the RiseAtlas. Also the date when corrective actions are taken, in response to noted observations, should also be noted in the logbook.

Defects and damage should be reported back to the manufacturer for action and this feedback should be reported in the logbook.

Every inspection performed on the RiseAtlas shall be noted in the RiseAtlas logbook and a record, such as Inspection list chapter 11.1, shall be included. The inspection record should be retained safely for examination in the event of an incident.

If inspection reveals any effect, wear or other damage that jeopardizes the safety of RiseAtlas, the owner should immediately be notified. In the event of immediate danger to safety, the RiseAtlas should immediately be taken out of service. It may then not be used until the deficiency has been eliminated.

A checklist for the Inspection is presented in section 11.1 The different inspection categories contain.

A. Visual inspection of RiseAtlas,



0. Inspect the lift for signs of wear and damage.
1. Check the entire length of the strap for signs of damage and inspect seams for wear.
2. Check cables and connections for signs of any wear and correct connection.
3. Check any user notes regarding reported errors in logbook.
4. Check correct labelling and marking of equipment.
5. Check that necessary documentation, manual and service manual and logbook, is available for the lift.
6. Check that the lift works in a correct environment, absence of water and no flammable area.

B. Functionality testing of RiseAtlas,



0. Check start and stop functions.
1. Check charge level and charging function.
2. Check to ensure that hand control markings are consistent with lift functions.
3. Check up/down function and transfer movement (if applicable).
4. Check movement in overhead system.
5. Check limit switch functions.

C. Safety testing of RiseAtlas,



0. Emergency stop device.
1. Emergency lowering, mechanical and electrical.
2. Check all connection points, both H-adapter and sling bar safety latches.

D. Load and speed testing of RiseAtlas (performance),



0. Every first-time and periodic inspection shall include a working load test (safe working load) of one (1) lifting cycle with the maximum load.
1. Check that maximum speed up/down of the lift is not exceeded. Maximum 0,25 m/s unloaded and maximum 0,15 m/s loaded.

E. Overhead systems,



1. Check that there are no signs of wear or damage on the overhead system structure (ceiling, wall mounted, upright supports) and particularly load bearing structure.
2. Check screws, bolts and nuts that they are correctly assembled and attached according to installation manual. Check all structural attachment connections.
3. Check functionality and movement of system, traverse or single rail.
4. Check to ensure that the rail system is equipped with functional end stops.
5. Check labelling of equipment.
6. Check that overhead system documentation, installation manual, is available.
7. Check functionality and safety of other accessories, such as gates and switches.
8. Customer have received a training in operation and charging routines.
9. Photograph all installations and the areas surrounding the installations.
10. Clean the overhead system and working area.
11. Accessories
12. Every first-time Installation and periodic Inspection of an overhead system structure shall include a load test according to (Weight testing procedure)

Overhead systems shall be installed, separate operation, according to installation manual and copy of installation certificate shall be found in logbook.

11.1 Inspection check list RiseAtlas

Lift type:

Contract no.:

s/n:

Name:

Version:

Address:

Prod. year:

Type of inspection: First-time inspection
 Periodic inspection
 Verification inspection

	A. Ocular inspection of		D. Load and speed testing of (performance)
0	Wear and damage.	0	Test load
1	Strap	1	Speed up/down
2	Cables and connections		
3	Reported errors		E. Overhead systems
4	Correct labelling	1	Wear or damage
5	Documentation	2	Screws, bolts
6	Environment	3	Functionality
		4	End stops
	B. Functionality testing of	5	Trolley
0	Start and stop	6	Labelling
1	Charge	7	Installation Manual
2	Hand Control	8	Operation and charging routines
3	Up/down function	9	Photograph
4	Movement	10	Cleaning
5	Limit switch	11	Accessories
		12	Weight testing procedure
	C. Safety testing of		
0	Emergency stop		
1	Mechanical and electrical.		
2	Connection points		

In accordance with ISO 10535:2006 Annex A-Periodic inspection

Date of inspection: _____

Test-loaded with: _____

Sign installer: _____

Sign Customer: _____



© Handicare AB • www.handicare.com

Maintenance

The lift must undergo thorough inspection at least once per year. Inspection must be performed by authorized personnel and in accordance with Handicare's service manual.

Repairs and maintenance may only be done by authorized personnel using original spare parts.



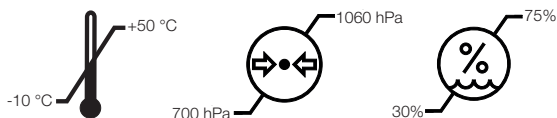
Used batteries are to be left at the nearest recycling station. Spent batteries can also be returned to Handicare or a Handicare dealer for recycling.

Cleaning/disinfection

If necessary, clean the lift with warm water or a soap solution and check that the castors are free from dirt and hair. Do not use cleaning agents containing phenol or chlorine, as this could damage the aluminium and the plastic materials. If disinfection is needed, 70 % ethanol, 45 % isopropanol or similar should be used.

Storage and transportation

If the lift is not to be used for some time or e.g., during transport, we recommend that the emergency stop button be pressed in. The lift should be transported and stored in -10 ° C to + 50 ° C and in normal humidity, 30% -75 %. The air pressure should be between 700 and 1060 hPa. Let the lift reach room temperature before the batteries are charged or the lift is used.



Service agreements

Handicare offers service agreements for maintenance and regular testing of your lift unit. Contact your local Handicare representative.

Serial number



Technical Information

Article no.: 50100058, 50100060

Lift motor	24 V DC
Lifting speed	3,9 cm/s (5,0 cm/s), 1.5 inch/s (2.0 imch/s) with (without) load
Charger IN	Mascot 2215 100-240 V AC/ 50-60 Hz Max 0,9 A.
Charger OUT	41 V DC \pm 0,3 Max 0,9 A
Batteries	24 VDC (20st 1,2VDC) 3,2 Ah. NiMH20XA3200
Motor cover	Flame-resistant ABS plastic
Hand control	Electronic
Emergency lowering	Manual and electrical
Lift weight	7,5 kg/16,5 lbs
Lifting range	2400 mm/ 94.4 inch
SWL RiseAtlas450	205 kg, 450 lbs
SWL RiseAtlas625	285 kg, 625 lbs
Sound level	Unload: 55 dB, Max load: 57 dB
Operating forces buttons on hand control	4N
Lift measurements	26,6 x 15,1 x 15,6 cm, 10.5 x 5.9 x 6.1 inch
Intermittent operation	Op 10/90, active op. max. 2 min. Out of a time of 100, active time must be less than 10, though not more than 2 min.
IP class, lift unit	IP 20
IP class, hand control	IP X4
Expected service life	10 years



The device is intended for indoor use.



Type B, according to the degree of protection against electric shock.



Class II equipment

Medical Device Class I. The product complies with the requirements of the Medical Devices Directive 93/42/EEC.

Lift motor	24 V DC
Lifting speed	3,9 cm/s (5,0 cm/s), 1.5 inch/s (2.0 imch/s) with (without) load
Charger IN	Mascot 2215 100-240 V AC/ 50-60 Hz Max 0,9 A.
Charger OUT	41 V DC \pm 0,3 Max 0,9 A
Batteries	24 VDC (20st 1,2VDC) 3,2 Ah. NiMH20XA3200
Motor cover	Flame-resistant ABS plastic
Hand control	Electronic
Emergency lowering	Manual and electrical
Lift weight	7,5 kg/16,5 lbs
Lifting range	2400 mm/ 94.4 inch
SWL RiseAtlas450T	205 kg, 450 lbs
SWL RiseAtlas625T	285 kg, 625 lbs
Sound level	Unload: 55 dB, Max load: 57 dB
Operating forces buttons on hand control	4N
Lift measurements	26,6 x 15,1 x 15,6 cm, 10.5 x 5.9 x 6.1 inch
Intermittent operation	Op 10/90, active op. max. 2 min. Out of a time of 100, active time must be less than 10, though not more than 2 min.
IP class, lift unit	IP 20
IP class, hand control	IP X4
Expected service life	10 years



The device is intended for indoor use.



Type B, according to the degree of protection against electric shock.



Class II equipment

Medical Device Class I. The product complies with the requirements of the Medical Devices Directive 93/42/EEC.

Lift motor	24 V DC
Lifting speed	3,9 cm/s (5,0 cm/s), 1.5 inch/s (2.0 imch/s) with (without) load
Charger IN	Mascot 2215 100-240 V AC/ 50-60 Hz Max 0,9 A.
Charger OUT	41 V DC \pm 0,3 Max 0,9 A
Batteries	24 VDC (20st 1,2VDC) 3,2 Ah. NiMH20XA3200
Motor cover	Flame-resistant ABS plastic
Hand control	Electronic
Emergency lowering	Manual and electrical
Lift weight	7,2 kg, 15,9 lbs
Lifting range	2400 mm/ 94.4 inch
SWL RiseAtlas450M	205 kg, 450 lbs
Sound level	Unload: 55 dB, Max load: 57 dB
Operating forces buttons on hand control	4N
Lift measurements	26,6 x 15,1 x 15,6 cm, 10.5 x 5.9 x 6.1 inch
Intermittent operation	Op 10/90, active op. max. 2 min. Out of a time of 100, active time must be less than 10, though not more than 2 min.
IP class, lift unit	IP 20
IP class, hand control	IP X4
Expected service life	10 years



The device is intended for indoor use.



Type B, according to the degree of protection against electric shock.



Class II equipment

Medical Device Class I. The product complies with the requirements of the Medical Devices Directive 93/42/EEC.

Lift motor	24 V DC
Lifting speed	3,9 cm/s (5,0 cm/s), 1.5 inch/s (2.0 imch/s) with (without) load
Charger IN	Mascot 2215 100-240 V AC/ 50-60 Hz Max 0,9 A.
Charger OUT	41 V DC \pm 0,3 Max 0,9 A
Batteries	24 VDC (20st 1,2VDC) 3,2 Ah. NiMH20XA3200
Motor cover	Flame-resistant ABS plastic
Hand control	Electronic
Emergency lowering	Manual and electrical
Lift weight	7,2 kg, 15,9 lbs
Lifting range	2400 mm/ 94.4 inch
SWL RiseAtlas450M	205 kg, 450 lbs
Sound level	Unload: 55 dB, Max load: 57 dB
Operating forces buttons on hand control	4N
Lift measurements	26,6 x 15,1 x 15,6 cm, 10.5 x 5.9 x 6.1 inch
Intermittent operation	Op 10/90, active op. max. 2 min. Out of a time of 100, active time must be less than 10, though not more than 2 min.
IP class, lift unit	IP X4
IP class, hand control	IP X4
Expected service life	10 years



The device is intended for indoor use.



Type B, according to the degree of protection against electric shock.



Class II equipment

Medical Device Class I. The product complies with the requirements of the Medical Devices Directive 93/42/EEC.

Lift motor	24 V DC
Lifting speed	3,9 cm/s (5,0 cm/s), 1.5 inch/s (2.0 imch/s) with (without) load
Charger IN	Mascot 2215 100-240 V AC/ 50-60 Hz Max 0,9 A.
Charger OUT	41 V DC \pm 0,3 Max 0,9 A
Batteries	24 VDC (20st 1,2VDC) 3,2 Ah. NiMH20XA3200
Motor cover	Flame-resistant ABS plastic
Hand control	Electronic
Emergency lowering	Manual and electrical
Lift weight	7,3 kg, 16,1 lbs
Lifting range	2400 mm/ 94.4 inch
SWL RiseAtlas625M	285 kg, 625 lbs
Sound level	Unload: 55 dB, Max load: 57 dB
Operating forces buttons on hand control	4N
Lift measurements	26,6 x 15,1 x 15,6 cm, 10.5 x 5.9 x 6.1 inch
Intermittent operation	Op 10/90, active op. max. 2 min. Out of a time of 100, active time must be less than 10, though not more than 2 min.
IP class, lift unit	IP 20
IP class, hand control	IP X4
Expected service life	10 years



The device is intended for indoor use.



Type B, according to the degree of protection against electric shock.

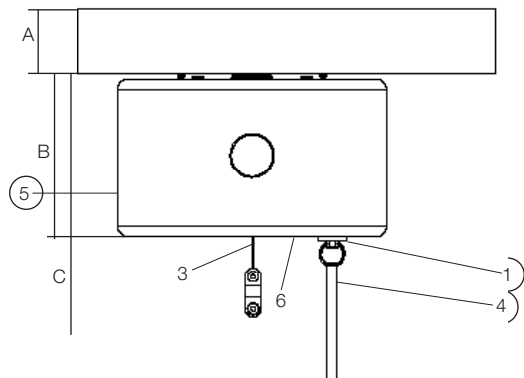


Class II equipment

Medical Device Class I. The product complies with the requirements of the Medical Devices Directive 93/42/EEC.

Detailed description

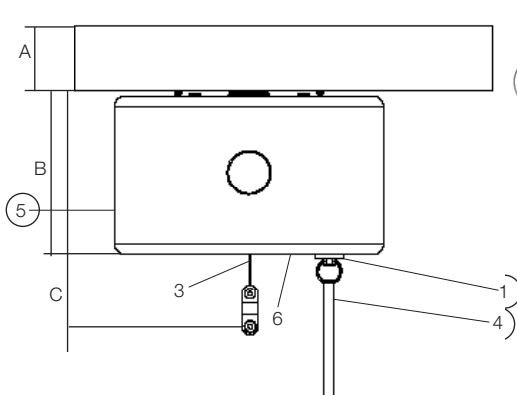
Article no.: 50100058, 50100060



1. Outlet for hand control
 2. Hand control
 3. Lift strap
 4. Emergency stop and electrical emergency lowering
 5. Manual emergency lowering/raising
 6. Control panel
- A. Rail 64-160 mm
 B. Lift unit overall height 160 mm
 C. Installation height 230 mm

Installation height on SlingBar M, 327 mm

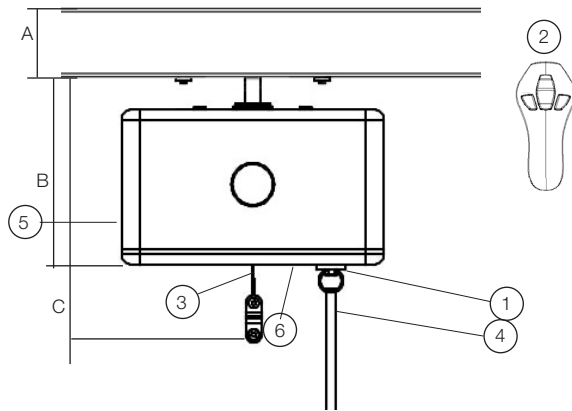
Article no.: 50100052, 50100053



1. Outlet for hand control
 2. Hand control
 3. Lift strap
 4. Emergency stop and electrical emergency lowering
 5. Manual emergency lowering/raising
 6. Control panel
- A. Rail 64-160 mm
 B. Lift unit overall height 160 mm
 C. Installation height 230 mm

Installation height on SlingBar M, 327 mm

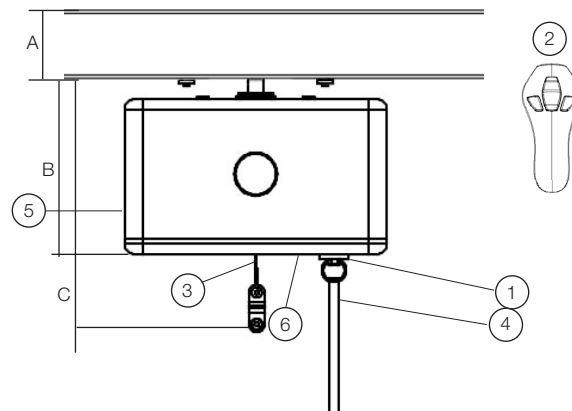
Article no.: 50100057



1. Outlet for hand control
 2. Hand control
 3. Lift strap
 4. Emergency stop and electrical emergency lowering
 5. Manual emergency lowering/raising
 6. Control panel
- A. Rail 64-160 mm
B. Lift unit overall height 160 mm
C. Installation height 230 mm

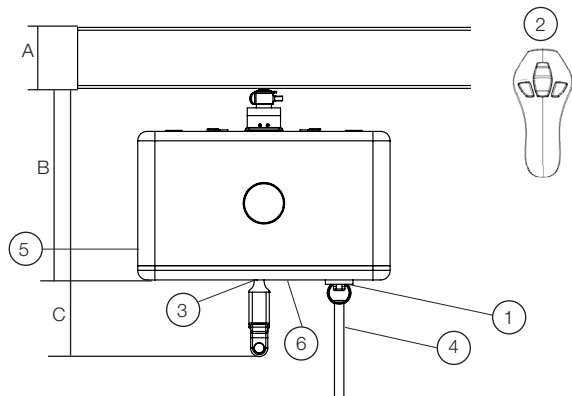
Installation height on SlingBar M, 327 mm

Article no.: 50100051



1. Outlet for hand control
 2. Hand control
 3. Lift strap
 4. Emergency stop and electrical emergency lowering
 5. Manual emergency lowering/raising
 6. Control panel
- A. Rail 64-160 mm
B. Lift unit overall height 230 mm
C. Installation height 300 mm

Installation height on SlingBar M, 397 mm



1. Outlet for hand control
 2. Hand control
 3. Lift strap
 4. Emergency stop and electrical emergency lowering
 5. Manual emergency lowering/raising
 6. Control panel
- A. Rail 64-160 mm
B. Lift unit overall height 200 mm
C. Installation height 270 mm

Installation height on SlingBar M, 367 mm

14. Logbook RiseAtlas

- RiseAtlas450 QuickTrolley, High humidity 50100051
- RiseAtlas450T SmartPark 50100052
- RiseAtlas625T SmartPark 50100053
- RiseAtlas450M QuickTrolley 50100057
- RiseAtlas450T 50100058
- RiseAtlas625T QuickTrolley 50100059
- RiseAtlas625T 50100060

Start by filling in the Installation **Certificate Over head Systems** as soon as the equipment is installed. It is important that the installer/service technician signs the document. Detailed descriptions for new service, maintenance and inspections can be found in the user manual and service manual.

Note!

Any observations, including defects and damage, of importance to the safety of the hoist should be noted in the RiseAtlas logbook which should be retained by the person responsible for the servicing/maintenance of the RiseAtlas. Also the date when corrective actions are taken, in response to noted observations, should be noted in the logbook. Defects and damage should be reported back to the manufacturer for action and this feedback should be reported in the logbook.

Every inspection performed on the RiseAtlas shall be noted in the RiseAtlas logbook and a record, such as Inspection List chapter 11.1, shall be included. The inspection record should be retained safely for examination in the event of an incident.

If inspection reveals any effect, wear or other damage that jeopardizes the safety of RiseAtlas, the owner should immediately be notified. In the event of immediate danger to safety, the RiseAtlas should immediately be taken out of service. It may then not be used until the deficiency has been remedied.

Installation Certificate Overhead Systems

Installation date:..... Order no:..... Sign installer:..... Sign customer:.....

Installation address:

Customer :..... Telephone:..... Date/Year:.....

Address:.....

Lift	RiseAtlas50T/SP	RiseAtlas625T/SP	RiseAtlas450M/Q/HH	RiseAtlas625TQ	Serial no.	Delivery date	Test Load (X)kg
Other							
Railsystem: MilkyWay	In concrete ceiling	With wooden beams	With wall brackets	With Vertical Support	Other		Test Load (X)kg
Railsystem: Other							
Straight Rail							
Straight Rail with Curve							
Traverse system							

As responsible installer I hereby declare that this object is installed with EN ISO10535: 2006 certified products. The installation is made with Handicare certified partners for MilkyWay railsystem. Every First-time Installation and Periodic inspection of an overhead system structure shall include a load test according to (Weight testing procedure). The system has been approved (Yes)

Logbook:

Observation (by the user or technician):

Corrective action (service or maintenance):

Inspection: First-time Inspection Periodic Inspection Verification Inspection

Date:..... Custom.no: Order.no: Equip.no:

Lift has been approved (Yes/No) _____ Remarks: _____

Performed by:..... Sign customer:.....

Logbook:

Observation (by the user or technician):

Corrective action (service or maintenance):

Inspection: First-time Inspection Periodic Inspection Verification Inspection

Date:..... Custom.no: Order.no: Equip.no:

Lift has been approved (Yes/No) _____ Remarks: _____

Performed by:..... Sign customer:.....

Logbook:

Observation (by the user or technician):

Corrective action (service or maintenance):

Inspection: First-time Inspection Periodic Inspection Verification Inspection

Date:..... Custom.no: Order.no: Equip.no:

Lift has been approved (Yes/No) _____ Remarks: _____

Performed by:..... Sign customer:.....

Logbook:

Observation (by the user or technician):

Corrective action (service or maintenance):

Inspection: First-time Inspection Periodic Inspection Verification Inspection

Date:..... Custom.no: Order.no: Equip.no:

Lift has been approved (Yes/No) _____ Remarks: _____

Performed by:..... Sign customer:.....

Logbook:	
Observation (by the user or technician):	
Corrective action (service or maintenance):	
Inspection: <input type="checkbox"/> First-time Inspection <input type="checkbox"/> Periodic Inspection <input type="checkbox"/> Verification Inspection	
Date:.....	Custom.no: Order.no: Equip.no:
Lift has been approved (Yes/No) _____ Remarks: _____	
Performed by:..... Sign customer:.....	

Logbook:	
Observation (by the user or technician):	
Corrective action (service or maintenance):	
Inspection: <input type="checkbox"/> First-time Inspection <input type="checkbox"/> Periodic Inspection <input type="checkbox"/> Verification Inspection	
Date:.....	Custom.no: Order.no: Equip.no:
Lift has been approved (Yes/No) _____ Remarks: _____	
Performed by:..... Sign customer:.....	

Logbook:	
Observation (by the user or technician):	
Corrective action (service or maintenance):	
Inspection: <input type="checkbox"/> First-time Inspection <input type="checkbox"/> Periodic Inspection <input type="checkbox"/> Verification Inspection	
Date:.....	Custom.no: Order.no: Equip.no:
Lift has been approved (Yes/No) _____ Remarks: _____	
Performed by:..... Sign customer:.....	

Logbook:	
Observation (by the user or technician):	
Corrective action (service or maintenance):	
Inspection: <input type="checkbox"/> First-time Inspection <input type="checkbox"/> Periodic Inspection <input type="checkbox"/> Verification Inspection	
Date:.....	Custom.no: Order.no: Equip.no:
Lift has been approved (Yes/No) _____ Remarks: _____	
Performed by:..... Sign customer:.....	

Simple solutions for great results

SystemRoMedic™ is the name of Handicare's unique easy transfer concept, the market's widest and most comprehensive range of clever, easy-to-use and safe transfer and lifting aids designed to make life easier, both for the user and for the caregiver. SystemRoMedic™ is a complete solution that provides for the majority of patient transfer or manual handling requirements. From the simplest to the most complex scenarios, from the lightest to the heaviest. The concept encompasses assistive devices for four different categories of transfers:

- Transfer, assistive devices for manual transfers of users between two locations.
- Positioning, assistive devices for manual repositioning of users within the same location.
- Support, assistive devices for mobility support e.g., during sit-to-stand or gait training.
- Lifting, assistive devices for manual and mechanical lifting of users.

Improved work environment, improved quality of care and cost savings

The philosophy behind SystemRoMedic™ is focused on the prevention and reduction of occupational injuries while allowing users to experience a greater sense of independence and dignity. Through a unique combination of training and a complete range of efficient transfer aids, SystemRoMedic™ offers improvement of both work environment and quality of care and, at the same time, achieves significant cost savings.

Always make sure that you have the correct version of the manual

The most recent version of all manuals are available for downloading at/from our website; www.handicare.com.

For questions about the product and its use

Please contact your local Handicare and SystemRoMedic™ representative. A complete list of all our partners with their contact details can be found on our website; www.handicare.com.

Handicare offers solutions and support to increase the independence of disabled or elderly people as well as to improve the convenience of those who are caring for them.

The Handicare Group is one of the leading healthcare companies in Europe with its own manufacturing organizations and sales companies in Norway, Sweden, Denmark, Germany, the Netherlands, Great Britain, France, China, Canada and the USA. Handicare's products are also distributed by partners in more than 40 countries worldwide. Our wide range of high-quality products includes a complete easy transfer system and other patient handling aids, stairlifts, car adaptations and bathing and toileting products.



Handicare AB
Maskinvägen 17
SE-972 54 Luleå, SWEDEN
Tel: +46 (0)8-557 62 200
Fax: +46 (0)8-557 62 299
E-mail: info@handicare.se
www.handicare.com