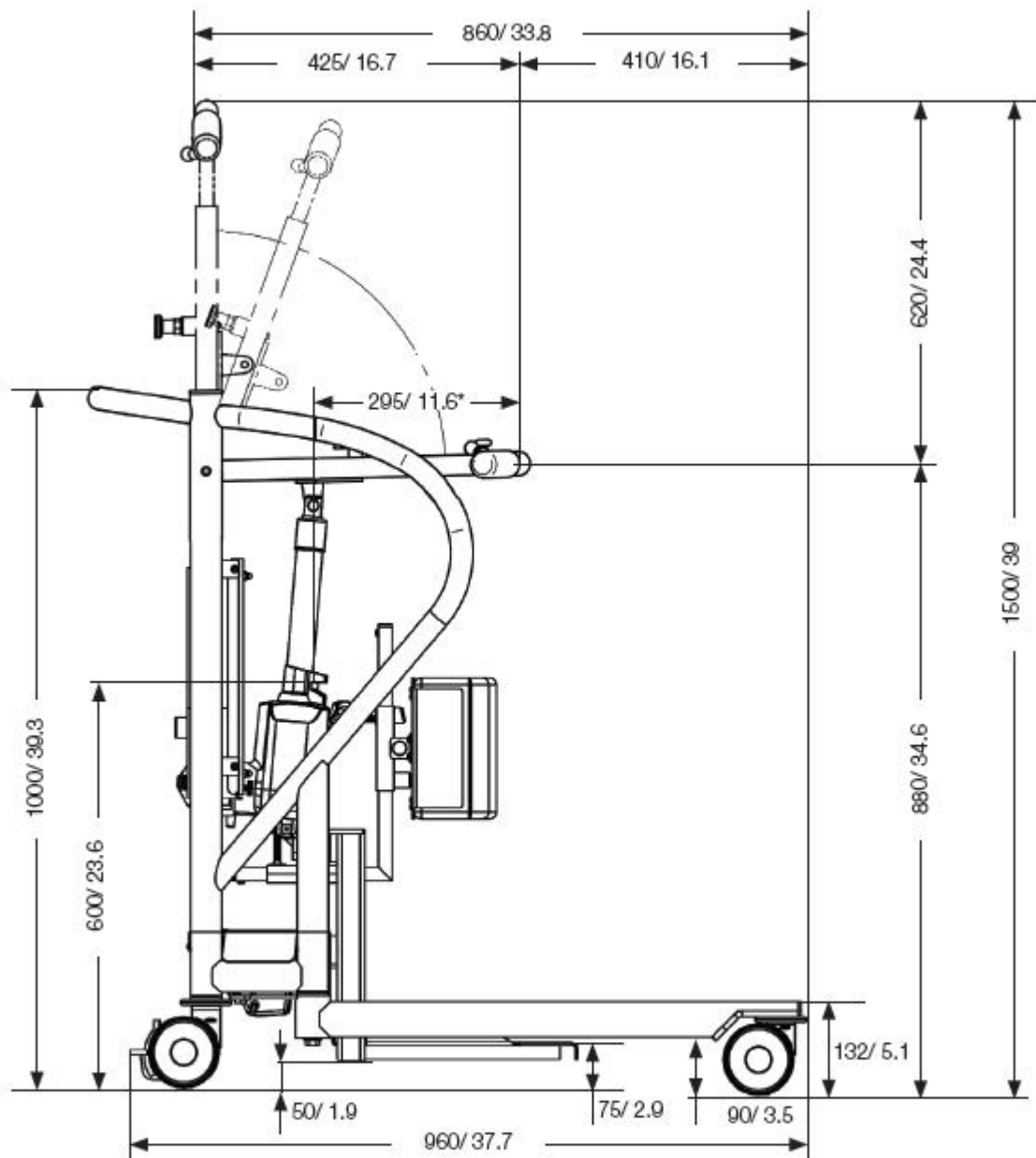


# Dimensions

All measurement are in mm/inch

Tolerance +/- 5 mm/ 0.2"



\* Maximum reach at 600 mm (referens height)