

REF

56-315
56-315/75
56-315/75-UK
56-315/75-PU
56-315-PU-AUS
56-315-AUS
56-315-CAN
56-315-PU
56-315-PU-UK
56-315-B/0
56-315-B/1
56-315-B/0-PU
56-315-S
56-315-UK
56-315/100

Bure XL

User Manual

Technical Manual

Service Manual



SWL: 240 kg/ 529 lbs

Bure XL

Bure XL was designed for the bigger, heavier patient and therefore provides extra space and strength. Because extra powerful aids are required in the care and nursing of heavier patients, Bure XL is always supplied with electric drives.

Contents

1. Intended Use	03
2. Contraindications, Precautions and Warnings	03
3. Raising and Lowering the Frame	04
4. Adjusting the Handles	04
5. Left and Right Adjustment of Armrests	04
6. Locking/Unlocking Castors	04
7. Control Box Wiring	05
8. Battery Charging	05
9. LED on Control Box and Battery	05
10. Maintenance	06
11. General Maintenance Advice & Cleaning	07
12. Technical Specifications	07
13. Safety Instructions	08
14. Recycling/Disposal	08
15. Warranty	08
16. Electrical System - Technical Data (T-motion/Linak)	09
17. Parts List	10
18. Spare Parts	11
19. Accessories	11
20. Table of Symbols	12

1. Intended Use

Walkers are indoor, movable and portable assistive aids, which together with approved accessories are intended to be used for transfer from sitting to standing positions, and walking training. Walkers are to be used by persons with reduced muscular strength, who shall be able to stand and perform simple leg movements. Walkers are to be used for leaning on when walking and standing during early mobilization training. Walkers and accessories are intended for indoor use only in Home Healthcare environment and Professional Healthcare facility environment.

2. Contraindications, Precautions and Warnings

Contraindications

- The device may not be used by patients above the maximum weight indicated on the label of the device.

Precautions

- Check that the device is used on a dry and flat surface.
- Check the device is correctly mounted/assembled before its first use.
- Check the device after every folding/disassembly after any transport.
- Check height adjustment and leg spreading motions and inspect the actuators' or gas pistons' full ranges.
- Activate the brakes whenever the device is not in use.
- Check the function of the brakes before use.
- Inspect the device regularly to detect any signs of damage. If there are any visible signs of damage, contact Direct Healthcare Group Customer Service.
- In case of an electrical model of the device, check that the hand control does not show signs of wear before every use.
- Check that the hand control markings are in accordance with the lifting functions.
- Check the battery status of an electrically operated model, before using the device.
- It is important to never leave the user alone during the transfer.
- Warranty applies only if repairs or alterations are made by personnel who are authorized by Direct Healthcare Group.
- Ensure that there are no obstacles or people in the way of the device, when moving.
- Handle batteries with care. Do not drop.
- Use only batteries and cables that are intended for the device as instructed by the manufacturer.
- Verify that potential accessories that might be used are properly attached to the device before use.
- Low speed is recommended when moving with the device.
- Take care not to drive the device over thresholds with high speed or force. Approach the threshold with lower speed and communicate the coming threshold to the user.
- Keep the instructions for use together with the product so that it can be used as a reference if necessary.

Warnings

- The caregiver must be able to read and understand the Manual/IFU of the product.
- It is important to only use approved accessories as stated in the manual/IFU to prevent unintended detachment of components and subsequently a fall that may lead to patient injury.
- Use careful and gentle maneuvers when moving the device.
- Perform maintenance/service of the device, according to the instructions in the manual/IFU, at least once every 12 months.
- Accessories must be properly attached. They should be tested in relation to the user's needs and functional ability.
- Special care must be taken when using strong electrical power sources such as diathermy and the like so that diathermy cables are not placed on or near the device. In case of doubt consult with a Direct Healthcare Group representative.
- When lifting the device, only use the denoted handholds. At least two people are required for lifting the device
- Do not leave a user or patient unattended when the device is being used.
- Never move the lift by pulling on the actuator or gas piston.
- The device must not be lowered into water.
- The device must not be left or stored in a damp or humid environment.
- The device must not be cleaned using steam.
- The device must not be charged in a wet room.
- The device must not be used outdoors, only indoors.

3. Raising and Lowering the Frame

Adjust the height with the aid of the remote control <UP> and <DOWN> arrows.



4. Adjusting the Handles

To adjust handles to the desired position; loosen screw, adjust handle, tighten screw.



5. Left and Right Adjustment of Armrests

The armrests can be adjusted sideways for optimal support; loosen screw, adjust armrest, tighten screw.



6. Locking/Unlocking Castors

Depress the foot brake to set it and lock the castor.

Press down on the protruding part of the brake to release it.

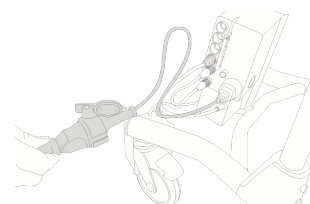
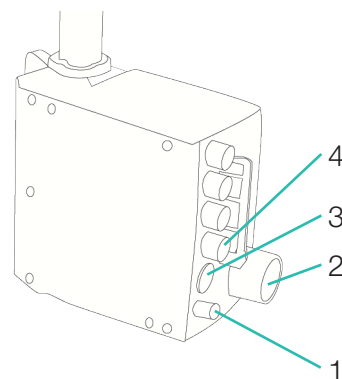


7. Control Box Wiring

Remove the control box cover to make the connections as described below. Use a screwdriver or similar; refer to the special labels on the control box.

NOTE! Make sure that plugs are connected to the correct sockets otherwise the actuators can be damaged.

1. Battery terminal socket.
2. Plug socket. NOTE: The plug must ALWAYS be connected to the control box for IP protection to be valid.
3. Remote control socket.
4. Socket for the raise/lower actuator.



8. Battery Charging

Battery charging must take place when the Walker is not in use (the battery can never be overcharged). Charging is carried out by inserting the plug in a wall socket.

The battery should be charged at least 24 hours before first time use.

9. LED on Control Box and Battery

Control box – green light when power is available from battery/mains socket.

Battery:

- The LED flashes green during charging.
- ON/OFF: To use the product, press ON.
- The green lamp will begin to flash.
- Use the OFF button (hold down for 5 s) to switch off the battery if the product will not be used for an extended period.
- The LED will show a constant green light when the battery is fully charged.
- When the battery is in normal state/in operation, the LED flashes green at REGULAR intervals, namely 0.5 s ON, 4 s OFF.
- When the battery requires charging (remaining charge <25%) the LED will flash orange/red at REGULAR intervals, namely 0.5 s ON, 4 s OFF.



NOTE: The battery has an in-built device that automatically switches it off when remaining charge is <20%. The LED is then extinguished. The battery must now be fully charged before the electronics can be used again.

10. Maintenance

Recommended at least once per year.

Check that	Action
<p>General The Walker feels firm/free from play. The Walker does not rattle during manoeuvres. The Walker is level and all of its castors are in contact with the floor. The Walker is not dirty.</p>	<p>Clean with lukewarm soap solution or alcohol-based cleaning agent (no petroleum products).</p>
<p>Armrests Armrests are intact and clean. Armrest widening is functional.</p>	<p>Clean; replace if damaged. Fit lock screws/plates as required</p>
<p>Handle Grips are not damaged/dirty. Handle adjustment is functional.</p>	<p>Clean with lukewarm soap solution (no petroleum products). Replace handle grips. Fit lock screws/plates as required.</p>
<p>Height adjustment Raising and lowering are functional. The Walker feels stable at maximum settings. There is no play between the vertical frame and bottom frame. Height adjustment clamps lock. The electric actuator fitting must be free from play. Height adjustment via remote control is functional. The electric actuator must run smoothly at a constant speed.</p>	<p>Fit new guide sleeves (in frame) or end plugs (in chrome tubes) as required. Tighten all lock bolts. Replace clamps. Tighten the attachment fitting concerned; replace bolts/lock nuts as necessary. Check that the battery/remote control/actuator are connected in accordance with the wiring diagram. Charge the battery. Contact customer services.</p>
<p>Frame parts There is no mechanical damage. There are no scratches. End plugs/lower frame fitted.</p>	<p>If damage is present, contact GATE's customer services. Touch up as necessary. Fit new end plugs.</p>
<p>Castors/brakes Castors roll easily/tread not damaged. The castors are firmly fastened to the lower frame. Castor brakes functional on all castors. Handbrake functional.</p>	<p>Clean or replace castors. NOTE: Castors are always fixed to the lower frame with thread locker or lock nuts. Do not dismantle the castors; replace the whole castor assembly instead. Tighten the castor bolt and fit locking nut or use thread locker (depends on model). Replace castor assembly. Adjust the brake or fit new castors.</p>

11. General Maintenance Advice & Cleaning

- Clean the Walker and its armrests clean as necessary - Wipe using a soap solution/surface disinfectant.
- The product may be cleaned in a tunnel washer or similar as electrical systems have IP65 protection. However, the product is not corrosion proof which means washing by machine may reduce its lifetime.
- Replace damaged parts immediately; must be done by experienced personnel.
- If the product is to be cleaned in a washing tunnel / washing cabin, use PU-cushions.
- The product is only intended for indoor use.

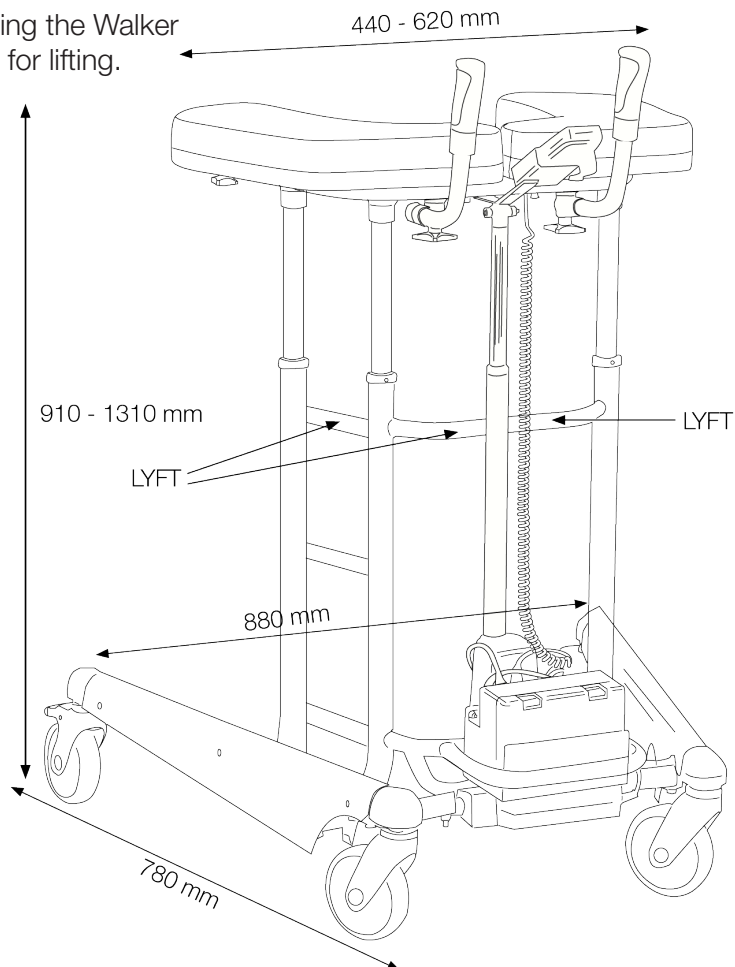
12. Technical Specifications

Dimensions apply to Walkers with 125 mm castors

Part No.	Product	Product width	Max user weight	Length	Height	Armrest/Internal dimension
56-315	Bure XL EL	90cm	240kg	84cm	87-127cm	45-64cm

“LIFT” denotes suitable handhold for lifting the Walker
 NOTE: At least two people are required for lifting.

Product weight: 29 kg
 Max user weight: 240 kg



13. Safety Instructions

The Bure Walker may only be used:

- As a WALKING AID, indoors
- On HARD, LEVEL surfaces

Max. user weight: 240 kg

14. Recycling/Disposal

When the product is no longer usable it should be recycled in accordance with legislation and regulations in the country concerned. All electrical parts including batteries must be removed and recycled as electrical components. (Ask your local recycling station for further information about how the different materials in the product (metals, plastics, electronics) should be recycled).

15. Warranty

We provide two years warranty against manufacturing faults (does not apply to wear parts). For further information or enquiries please contact:

Direct Healthcare Group Sverige AB
Torshamnsgatan 35,
SE-164 40 Kista, Sweden

Tel: +46 (0)8-557 62 200
info.se@directhealthcaregroup.com
www.directhealthcaregroup.com

16. Electrical System - Technical Data (T-motion/Linak)

Actuator	Lift	Widening	Lift	Widening
Producer	TiMotion	TiMotion	Linak	Linak
Voltage	12V	24V	24 V	24 V
Push	2000N/1500N	1000N	1000N/1500N/2000N	1200 N
Pull	2000N/1500N	1000N	1000N/1500N/2000N	1200 N
Self-locking push	1000N	1000N	7A	3 A
Current	6.6 (+/-1,0)A	2.6 (+/-0,4)A	7A ut/7 A in	3A ut/3 A in
Colour	Black	Aluminium	White	White
Stroke	400mm	55mm	400 mm	55 mm
Mounting dim	605mm	167mm	606+/-2 mm	165 +/- 2 mm
Encapsulation	IP66	IP66	IPX6	IPX6

IEC60601-1 3rd revision

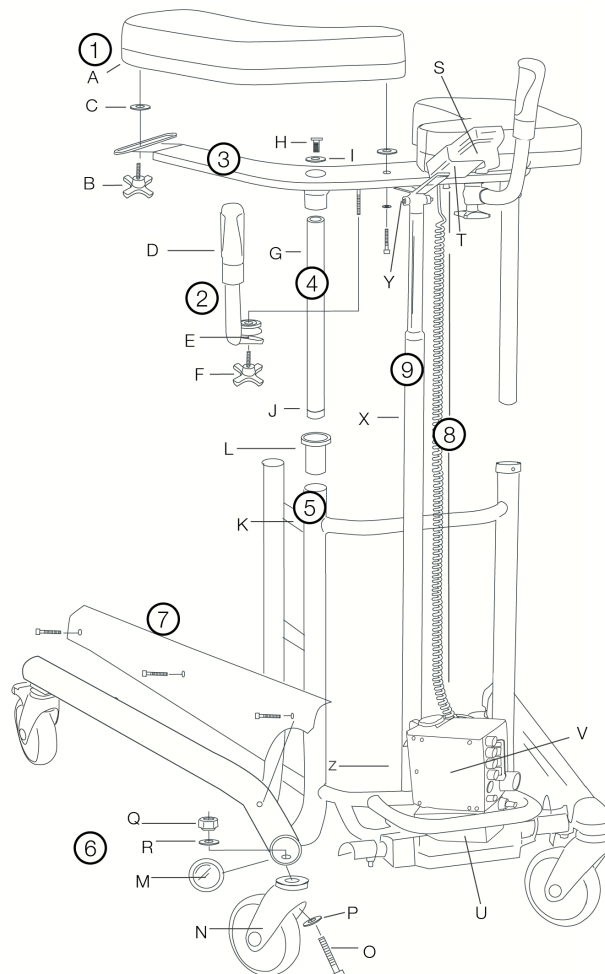
Control box + Battery

Producer	T-Motion	Linak
Voltage	24V	230V/24V
Capacity	2.0AH	2,25 Ah
Encapsulation	IP66	IPX6
Colour	Black	White
Electrical safety	Class II	Class II (Dubbel insulated)

IEC60601-1 3rd revision

17. Parts List

1	A	Armrest	6	M	End bushing/plastic
	B	Knob		N	Wheel
	C	Plastic washer		O	Bolt
2	D	Handle and grip	7	P	Washer
	E	Clamp		Q	Nut
	F	Knob		R	Washer
3		Upper frame	8	S	Remote control
				T	Holder/remote control
				U	Battery
4	G	Chromium-plated tube	9	V	Control box
	H	Attachment bolt		X	Actuator (raise/lower)
	I	Washer		Y	Bolt, washer (2 pcs), nut (attachment at bottom and top)
	J	End bushing			
5	K	Frame with battery shelf			
	L	Guide sleeve			














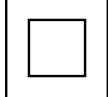

18. Spare Parts

No.	Part no.	Description
-	56-305	Touch-up paint Bure, Silver 8
-	56-306	Touch-up paint Bure, Dark grey RAL 7021
1A	57-327	Armrest right
1A	57-328	Armrest left
T	56-328	Holder, hand controller
L	56-340	Guide sleeve
J	56-343	End piece, guide tube
U	56-346-1	Battery/LA31
U	56-346	Battery incl. circuit board/LA28
X	57-004-02	Actuator (raise/lower)/LA31
X	57-004-01	Actuator (raise/lower)/LA28
2	56-353	Handle kit, Bure Std (2 pairs incl. lock knob/clamps)
-	56-357	Wheel without brake 100 mm
-	56-358	Wheel with brake 100 mm
N	56-360	Wheel without brake 125 mm
-	56-361	Wheel with brake 125 mm
-	56-387	Wheel with brake 75 mm
E	56-356	Locking clamp, handle
F	56-363	Knob for adjusting handle
B	56-364	Knob for adj. width of armrest plates
S	56-370-1	Hand control 2channel (raise/lower)/LA31
S	56-370	Hand control 2channel (raise/lower)/LA28
-	56-374-1	Power cable/LA31
	56-374	Charger/LA28
V	56-345-1	Control box 220 V

19. Accessories

Part no.	Description
56-334	Drip holder
56-335	Attachment for drip holder
56-336	Oxygen holder
56-337	Side support, adjustable
56-338	Drip rod complete with attachment
56-386	Footplate, Bure XL (plate)
56-389	Soft basket with attachment

20. Table of Symbols

	This product complies with the requirements of the Medical Device Regulation 2017/745		Visual Inspection
	Medical Device		Read the manual
	Caution		Product Code
	Manufacturer information		Batch Code
	Type BF, according to the degree of protection against electric shock		The device is intended for indoor use
	WEEE Symbol May not be discarded in domestic waste		Class II Equipment
	Duty Cycle: 2 min in active (ON) mode. 18 min in rest (OFF) mode.		

CE Medical Device Class I

Medical Device Class I. The product complies with the requirements of the Medical Devices Regulation 2017/745.

Direct Healthcare Group

Advancing Movement & Health®

Direct Healthcare Group Sverige AB
Torshamnsgatan 35,
SE-164 40 Kista, Sweden

Tel: +46 (0)8-557 62 200
info@directhealthcaregroup.com
www.directhealthcaregroup.com