



A DIRECT HEALTHCARE GROUP COMPANY

# Bure Rise & Go

## Technical Manual





# Bure Rise & Go

Bure Rise & Go is a complete walking aid with the possibility of moving patients as well as simple, stable and safe raising. The solution is based on a newly developed harness that is attached to the Bure Walking Table whose electrically driven height adjustment helps the patient from sitting to standing. There are both walking training harnesses and raising harnesses for Bure Rise & Go.

## Contents

1. Replacement parts list	04
2. Accessories	04
3. Electrical system – Technical data	06
4. Remote Control Plus	06
5. Control box wiring	07
6. Battery charging	07
7. LED on controlbox and battery	07
8. Maintenance	08
9. General safety/maintenance advice	09
10. ID label	09
11. Recycling/Scrapping	10
12. Warranty	10
13. Technical specifications	10

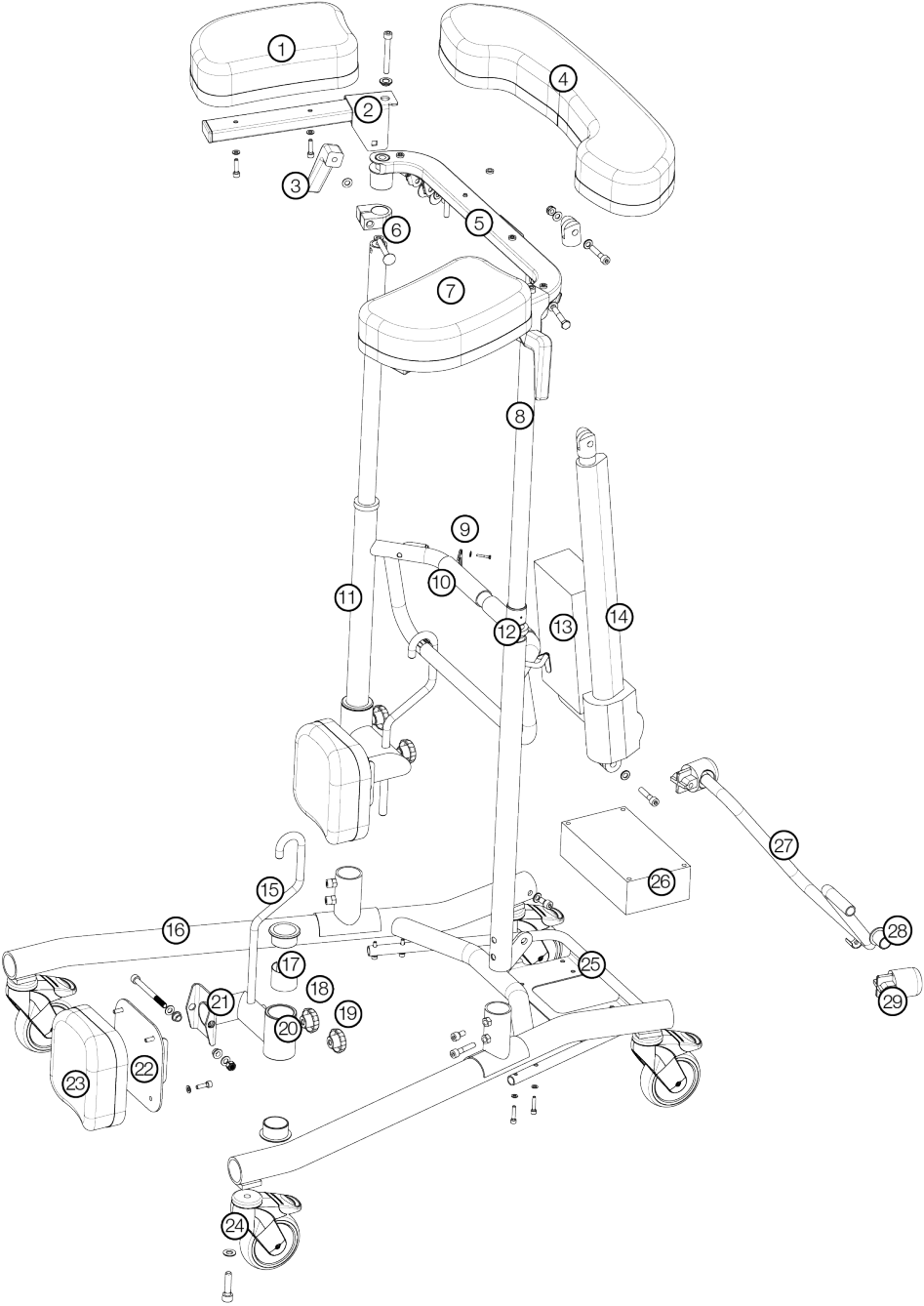
## 1. Replacement parts list

1	58-306-L	Arm rest, left	16	58-313	Lower frame
2	58-304-L/R	Support for arm rest, left, right	17	58-302	Bushing, PA6
3	57-352	Lock lever	18	57-710	Knob, hook adjustment, L=27
4	58-305	Arm rest plate, centre section	19	57-839	Knob, knee plate adjustment, L=15
5	58-303	Support for arm rest, centre	20	58-323	Plastic bushing, lower
6	58-301	Clamp, aluminium	21	58-308-1-L/R	Hinged arm/knee support, left, right
7	58-306-R	Arm rest, right	22	58-309	Adjuster plate, knee support
8	58-311	Telescopic internal tube incl. slide bearing	23	58-312	Knee support
9	58-322	Strap holder, green	24	56-361	Castor with brake, 125 mm
10	58-327	Handle, foam	25	58-314	Battery tray
11	58-307	Vertical frame	26	58-376	Battery
12	57-310	Plastic bushing, upper	27	57-341-1	Stirrup bar
13	58-373	Control box 220 V	28	57-353	Plastic bushing, stirrup
13	58-373-1	Control box 110 V	29	57-340-1	Aluminium cover, stirrup
14	58-377	Actuator			
15	58-310-1	Hook (for knee support)			

## 2. Accessories

Art. Nr.	Benämning
56-326-0	Handbrake kit, 2 handles
56-326-1	Handbrake kit, 1 handle
56-333-1	Footplate, aluminium, short
56-383	Footplate, aluminium, long
56-334	Chromium drip rod
56-335	Drip rod holder
56-336	Oxygen holder
56-337	Side support
56-338	Drip rod complete with holder
56-384-S/M/L/XL	Harness (S=95-150cm, M=105-120cm, L=110-140cm, XL=130-160cm)
56-388-S/M/L/XL	Gait training harness (S=95-150cm, M=105-120cm, L=110-140cm, XL=130-160cm)
56-387	Castor with brake, 75 mm
56-358	Castor with brake, 100 mm
56-361	Castor with brake, 125 mm
58-376	Battery
58-374-1	Hand control, up/down
58-320 (-1, -2, -3)	Charge cable, EUR (-UK,-US,-AUS)
58-326 (-1, -2, -3)	Spiral cable, EUR (-UK,-US,-AUS)

- 58-328 Heel strap
- 56-061 Remote control PLUS (TH10) including Holder
- 57-365 Armrestpad center, PUR
- 57-366-L/R Armrestpad left/right, PUR



### 3. Elsystem - Tekniska Data

#### Actuator

Manufacturer	T-Motion
Voltage	24V
Lifting power	2000N
Traction	2000N
Interlock on lift	1000N
Amperage	4.6A
Colour	Black
Stroke	400mm
Min installation dimensions	605 mm retracted length
Protection class	IP66
IEC60601-1 issue 3	

#### Control box + battery

Manufacturer	T-Motion
Voltage	24V
Capacity	2.0AH
Protection class	IP66
Colour	Black
Electrical safety	Category II (double insulation)
IEC60601-1 issue 3	

### 4. Remote Control Plus

\*\*1. Service indicator – flashes red after 11 months' operation. Constant light (red) after 12 months' operation. The indicator is a reminder to review the maintenance instruction (see Instructions for Use/Technical Manual). This should be done at least once every 12 months.

Reset: hold down buttons <2a> + <2b> for at least 30 seconds.

\*\*The indicator will go out around 30 seconds after the remote control is activated (battery conservation function).



## 5. Control box wiring

Remove the control box cover to make the connections as described below. Use a screwdriver or similar; refer to the special labels on the control box.

NOTE: Make sure that plugs are connected to the correct sockets otherwise the actuators can be damaged.

1. Socket for the raise/lower actuator.
2. Remote control socket.
3. Battery terminal socket.
4. Plug socket NOTE: Plugs must ALWAYS be connected to the control box for IP classification to be valid.



## 6. Battery charging

- Connect plug to 230V wall socket. Charging begins automatically and the battery LED flashes green.
- Make sure the battery is fully charged before using for the first time. It takes around 25 h to fully charge the battery.
- We recommend that the battery plug be removed from the control box if the product will be out of use for an extended period (more than one week) or if the battery is switched off by means of the ON/OFF switch. This eliminates the risk of disabling the battery as the control box always uses a small quantity of electricity even when the walker is not in use.

## 7. LED on controlbox and battery

Control box – green light when power is available from battery/mains socket.

Battery:

- The LED flashes green during charging.
- ON/OFF: To use the product, press ON.
- The green lamp will begin to flash.
- Use the OFF button (hold down for 5 s) to switch off the battery if the product will not be used for an extended period.
- The LED will show a constant green light when the battery is fully charged.
- When the battery is in normal state/in operation, the LED flashes green at REGULAR intervals, namely 0.5 s ON, 4 s OFF.
- When the battery requires charging (remaining charge <25%) the LED will flash orange/red at REGULAR intervals, namely 0.5 s ON, 4 s OFF. .



NOTE: The battery has an in-built device that automatically switches it off when remaining charge is <20%. The LED is then extinguished. The battery must now be fully charged before the electronics can be used again.

## 8. Maintenance

Recommended at least once per year.

### Check that

#### General

The walker feels firm/free from play.  
The walker does not rattle during manoeuvres.  
The walker is level and all of its castors are in contact with the floor.  
The walker is not dirty.

### Action

Clean with lukewarm soap solution (no petroleum products).

#### Arm rests

Arm rests are intact and clean.  
Arm rest widening is functional.

Clean; replace if damaged.  
Replace lock knob.

#### Handle

Grips are not damaged/dirty.  
Handle adjustment is functional.

Clean with lukewarm soap solution (no petroleum products).  
Replace handle grips.  
Fit lock knobs/plates as required.

#### Battery

Check that the charging cable is connected to the control box.  
Check that the remote control is connected to the control box.  
Check that connections are made according to the wiring diagram.  
Check that the battery, actuators and control box are not loose.

Fit new cable; this must always be connected to the control box (IP65 classification).  
Connect or fit new remote control as required.  
Refer to the wiring diagram in the Technical manual.  
Tighten; replace with new fasteners as required.

#### Height adjustment

Raising and lowering are functional.  
The walker feels stable at maximum settings.  
There is no play between the vertical frame and bottom frame.  
Height adjustment clamps lock.  
The electric actuator fitting must be free from play.  
Height adjustment via remote control is functional.  
The electric actuator must run smoothly at a constant speed.

Fit new guide sleeves (in frame) or end plugs (in chrome tubes) as required.  
Tighten all lock bolts.  
Replace clamps.  
Tighten the attachment fitting concerned; replace bolts/lock nuts as necessary.  
Check that the battery/remote control/actuator are connected in accordance with the wiring diagram.  
Charge the battery. Contact customer services.

#### Frame parts

There is no mechanical damage.  
There are no scratches.  
End plugs/lower frame fitted.

If damage is present, contact GATE's customer services.  
Touch up as necessary.  
Fit new end plugs.



### Castors/brakes

Castors roll easily.  
Tread not damaged.  
The castors are tightly fastened to the lower frame.  
Castor brakes functional on all castors.  
Handbrake functional.

Clean or replace castors (NOTE! Castors are always fixed to the lower frame with thread locker or lock nuts. The castors are sealed and we do not recommend their dismantling; instead, replace the whole castor assembly.  
Tighten the castor bolt and fit locking nut or use thread locker (depends on model).  
Replace castor assembly.  
Adjust the brake or fit new castors.

### Harness

Belts, seams and Velcro fasteners are whole/intact.  
The walker lock tabs (green) are intact.

Replace harness. Available in four sizes (S, M, L, XL).  
Change lock tab.

## 9. General safety/maintenance advice

The Bure Walker may only be used:

- As a WALKING AID / STAND-UP AID.
- INDOORS on HARD, LEVEL surfaces.

Before use, always check that:

- The product feels firm, secure and stable
- Harnesses, belts and attachments are intact and undamaged

Wipe the walker and its armrests clean as necessary; use soap solution/surface disinfectant. Be aware of battery charge status (LED) – charge as necessary.

## 10. ID label

1. Part number
2. Product name
3. Date of manufacture
4. Max user weight
5. Serial number
6. EAN code



## 11. Recycling/Scrapping

When the product is no longer usable it should be recycled in accordance with legislation and regulations in the country concerned. All electrical parts including batteries must be removed and recycled as electrical components. (Ask your local recycling station for further information about how the different materials in the product (metals, plastics, electronics) should be recycled).

## 12. Warranty

We provide two years' warranty for manufacturing faults (does not apply to wear parts). For further information or enquiries please contact:

Gate Rehab Development AB  
 Industrigatan 2, S-330 21 Reftele  
 tel 0371-318 00  
 info@gaterd.se

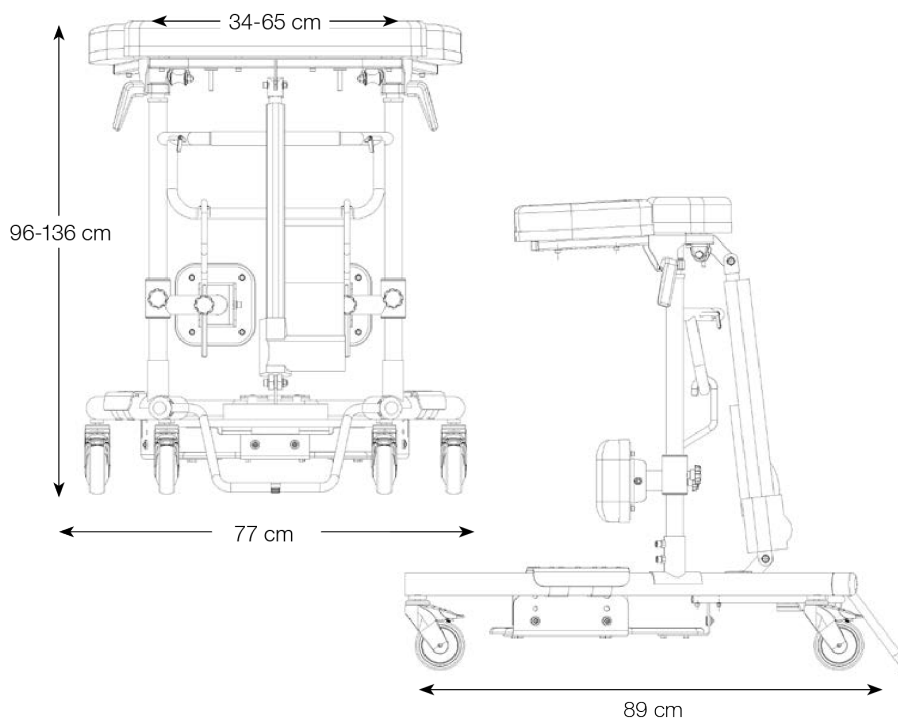


A DIRECT HEALTHCARE GROUP COMPANY

## 13. Technical specifications

Dimensions apply to walkers with 125 mm castors.

Part no.	Product width	Max user weight	Length	Height	Weight	Armrest/internal dimension
56-316	77cm	150kg	89cm	96-136cm	25kg	34-65cm







A DIRECT HEALTHCARE GROUP COMPANY

Gate Rehab Development AB  
Industrigatan 2  
Reftele, Sverige  
S-330 21

T: 0371-318 00  
F: 0371-318 01  
E: [info@gaterd.se](mailto:info@gaterd.se)

LIT-00104 Issue 1  
Date: January 2020

[GATERD.SE](http://GATERD.SE)