

**Direct Healthcare
Group**

Advancing Movement & Health®

Bure Rise & Go DB

Technical Manual



Bure Rise & Go DB

The Bure Rise & Go is a cost-effective walker enhanced with a patented power rise function. Thanks to the electric power rise function, Bure Rise & Go acts as a combined stand-up, mobility and walking aid all in a single product. Rise & Go is now also available with electric walking frame widening. Flexible widening combined with the lower height above the walking frame enhances versatility regardless of the patient's situation in hospital or at home.

Contents

1. Replacement parts list	04
2. Accessories	04
3. Electrical system – Technical data	06
4. Remote Control Plus	06
5. Control box wiring	07
6. Battery charging	07
7. LED on controlbox and battery	07
8. Maintenance	08
9. General safety/maintenance advice	09
10. ID label	09
11. Recycling/Scrapping	10
12. Warranty	10
13. Technical specifications	10

1. Replacement parts list

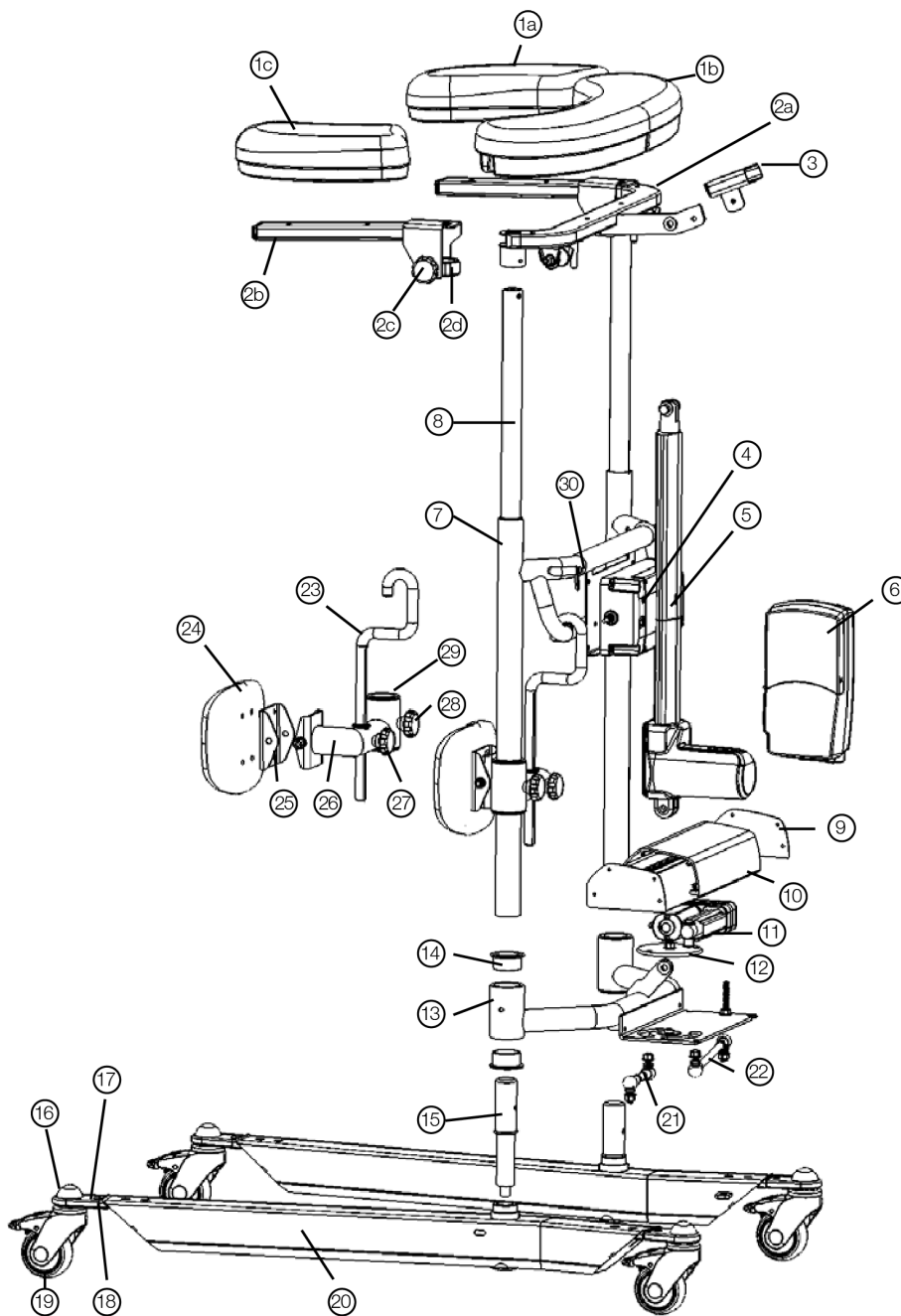
1a	58-306-L	Armrestpad left	14	58-302	Bearing (x2) Cross section
1b	58-305	Armrestpad center	15	58-353	Turn axle, beam
1c	58-306-R	Armrestpad right	16	57-776 57-775	Cover, Wheel Washer, wheel
2a	58-363	Frame/Armrest center	17	58-360	Cover, Wheelplate (PA)
2b	58-304-L/R	Frame/Armrest center (left/right)	18	58-354	Wheel mount beam
2c	57-352	Lock lever	19	57-051 57-319 57-049	Wheel 75mm Wheel 100mm Wheel 125mm
2d	58-301	Clamp aluminium	20	58-355-L 58-355-R	Bottom beam, left Bottom beam, right
3	57-041-3	Holder, Remotecontrol (TH7)	21		Linking arm, right
4	58-376	Battery, TiMotion	22		Linking arm, left
5	58-377	Actuator, TiMotion	23	58-310-1	Hook (for knee support)
6	58-373 58-373-1	Controlbox 220V, TiMotion Controlbox 110V, TiMotion	24	58-312	Knee support
7	58-351	Vertical frame	25	58-385	Holder/Knee support (only PUR)
8	58-311	Telescopic Innertube incl. bronze bearing	26	58-308-1-L/R	Hinged arm/knee support (left/right)
9	58-358	Sideplate (2x) alu	27	57-710	Knob, hook adustment L=27
10	58-356	Aluprofile, widening	28	57-839	Knob, Hinged arm/knee, L=15
11	58-378	Actuator, widening (TiMotion)	29	58-302	Bushing, PA6
12	58-364	Circular plate	30	58-322	Strap blocker, green
13	58-352	Cross section			

2. Accessories

Part no.	Description
	Manual brake, 2 handles
	Manual brake, 1 handle
56-333-DB	Standing plate, Short
56-383-DB	Standing plate, Long
56-334	Dripstand, Chromed
56-334	Holder for Dripstand
56-336	Oxygen tube holder
56-337	Side support
56-338	Dripstand holder, Complete
56-387	Wheel w brake 75 mm
56-358	Wheel w brake 100 mm
56-361	Wheel w brake 125 mm
57-365	Armrestpad center, PUR

TECHNICAL MANUAL

57-365-L/R	Armrestpad left/right, PUR
57-367	Kneepad, PUR
58-374-2	Remote Control (TH7)
56-062	Remote Control PLUS, DB (TH10)
58-320 (-1, -2, -3)	Cable/EUR (-UK, -US, -AUS)
58-326 (-1, -2, -3)	Coiled Cable/EUR (-UK, -US, -AUS)



3. Electrical system – Technical data

Actuator	Lift	Widening
Producer	T-Motion	T-Motion
Voltage	24V	24V
Push	2000N	1000N
Pull	2000N	1000N
Self-locking push	1000N	1000N
Current	4.6A	2.8A
Colour	Black	Black
Stroke	400mm	55mm
Mounting dim	605mm indragen längd	167mm
Encapsulation	IP66	IP66
IEC 60601-1 3rd revision		

Controlbox + Battery

Producer	T-Motion
Voltage	24V
Capacity	2.0AH
Encapsulation	IP66
Colour	Svart
Electrical safety	Class II (Dubbelisolering)
IEC 60601-1 3rd revision	

4. Remote Control Plus

**1. Service indicator – flashes red after 11 months' operation. Constant light (red) after 12 months' operation. The indicator is a reminder to review the maintenance instruction (see Instructions for Use/Technical Manual. This should be done at least once every 12 months.

Reset: hold down buttons <2a> + <2b> for at least 30 seconds.

**The indicator will go out around 30 seconds after the remote control is activated (battery conservation function).



5. Control box wiring

Remove the control box cover to make the connections as described below. Use a screwdriver or similar; refer to the special labels on the control box.

NOTE: Make sure that plugs are connected to the correct sockets otherwise the actuators can be damaged.

1. Socket for the height adjustment actuator.
2. Socket for the width adjustment actuator.
3. Remote control socket.
4. Battery terminal socket.
5. Plug socket (NOTE: Plugs must ALWAYS be connected to the control box for IP classification to be valid).



6. Battery charging

- Connect plug to 230V wall socket. Charging begins automatically and the battery LED flashes green.
- Make sure the battery is fully charged before using for the first time. It takes around 25 h to fully charge the battery.
- We recommend that the battery plug be removed from the control box if the product will be out of use for an extended period (more than one week) or if the battery is switched off by means of the ON/OFF switch. This eliminates the risk of disabling the battery as the control box always uses a small quantity of electricity even when the walker is not in use.

7. LED on controlbox and battery

Control box – green light when power is available from battery/mains socket.

Battery:

- The LED flashes green during charging.
- ON/OFF: To use the product, press ON.
- The green lamp will begin to flash.
- Use the OFF button (hold down for 5 s) to switch off the battery if the product will not be used for an extended period.
- The LED will show a constant green light when the battery is fully charged.
- When the battery is in normal state/in operation, the LED flashes green at REGULAR intervals, namely 0.5 s ON, 4 s OFF.
- When the battery requires charging (remaining charge <25%) the LED will flash orange/red at REGULAR intervals, namely 0.5 s ON, 4 s OFF.



NOTE: The battery has an in-built device that automatically switches it off when remaining charge is <20%. The LED is then extinguished. The battery must now be fully charged before the electronics can be used again.

8. Maintenance

Recommended at least once per year.

Check that

General

The walker feels firm/does not feel loose.
The walker does not rattle during manoeuvres.
The walker is level and all of its castors are in contact with the floor.
The walker is not dirty.

Action

Clean with lukewarm soap solution or alcohol-based cleaning agent (no petroleum products).

Arm rests

Arm rests are intact and clean.
Arm rest widening is functional.

Clean; replace if damaged.
Replace lock knob.

Handle

Grips are not damaged/dirty.
Handle adjustment is functional.

Clean with lukewarm soap solution (no petroleum products).
Replace handle grips.
Fit lock knobs/plates as required.

Battery

Check that the charging cable is connected to the control box.
Check that the remote control is connected to the control box.
Connect or fit new remote control as required.
Check that the battery, actuators and control box are not loose.

Fit new cable; this must always be connected to the control box (IP65 classification).
Connect; replace with new remote control as required.
Refer to the wiring diagram in the Technical manual.
Tighten; replace with new fasteners as required.

Height/width adjustment

Raising and lowering are functional.
The walker feels stable at maximum settings.
There is no looseness between the vertical frame and bottom frame.
Height adjustment clamps lock.
The electric actuator must not feel loose.
Height adjustment via remote control is functional.
The electric actuator must run smoothly at a constant speed.

Fit new guide sleeves (in frame) or end plugs (in chrome tubes) as required.
The technical manual shows the design and which fasteners must be checked. Contact the distributor if the parts cannot be tightened.
Replace clamps.
Tighten the attachment fitting concerned; replace bolts/ lock nuts as necessary.
Check that the battery/remote control/actuator are connected in accordance with the wiring diagram.
Charge the battery. Contact customer services.

Frame parts

There is no mechanical damage.
There are no scratches.
End plugs/lower frame fitted.

If damage is present, contact GATE's customer services.
Touch up as necessary.
Fit new end plugs.

Castors/brakes

Castors roll easily/tread not damaged.
 The castors are tightly fastened to the lower frame.
 Castor brakes functional on all castors.
 Handbrake functional.

Clean or replace castors (NOTE! Castors are always fixed to the lower frame with thread locker or lock nuts. The castors are sealed and we do not recommend their dismantling; instead, replace the whole castor assembly.
 Tighten the castor bolt and fit locking nut or use thread locker (depends on model).
 Replace castor assembly.
 Adjust the brake or fit new castors.

Harness

Belts, seams and Velcro fasteners are whole/intact.
 The walker lockplate (green) is functional.

Replace harness. Available in three sizes (S, M, & L)
 Replace lockplate

Holder, belts

Holder, belts not bent (see Figure s3).
 Harness and attachment belts must be replaced every three years.

A bent holder is a sign that the product has been overloaded.
 The frame must be replaced before further use.
 The action is then "Check harness labeling. If the harness production date is older than 3 years, the harness and belts must be scrapped.

9. General safety/maintenance advice

The Bure Walker may only be used:

- As a WALKING AID / STAND-UP AID.
- INDOORS on HARD, LEVEL surfaces.

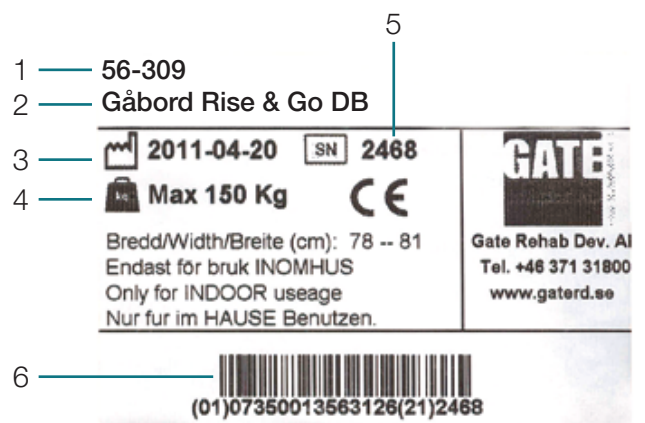
Before use, always check that:

- The product feels firm, secure and stable
- Harnesses, belts and attachments are intact and undamaged

Wipe the walker and its armrests clean as necessary; use soap solution/surface disinfectant. Be aware of battery charge status (LED) – charge as necessary.

10. ID label

1. Part number
2. Product name
3. Date of manufacture
4. Max user weight
5. Serial number
6. EAN code



11. Recycling/Scrapping

When the product is no longer usable it should be recycled in accordance with legislation and regulations in the country concerned. All electrical parts including batteries must be removed and recycled as electrical components. (Ask your local recycling station for further information about how the different materials in the product (metals, plastics, electronics) should be recycled).

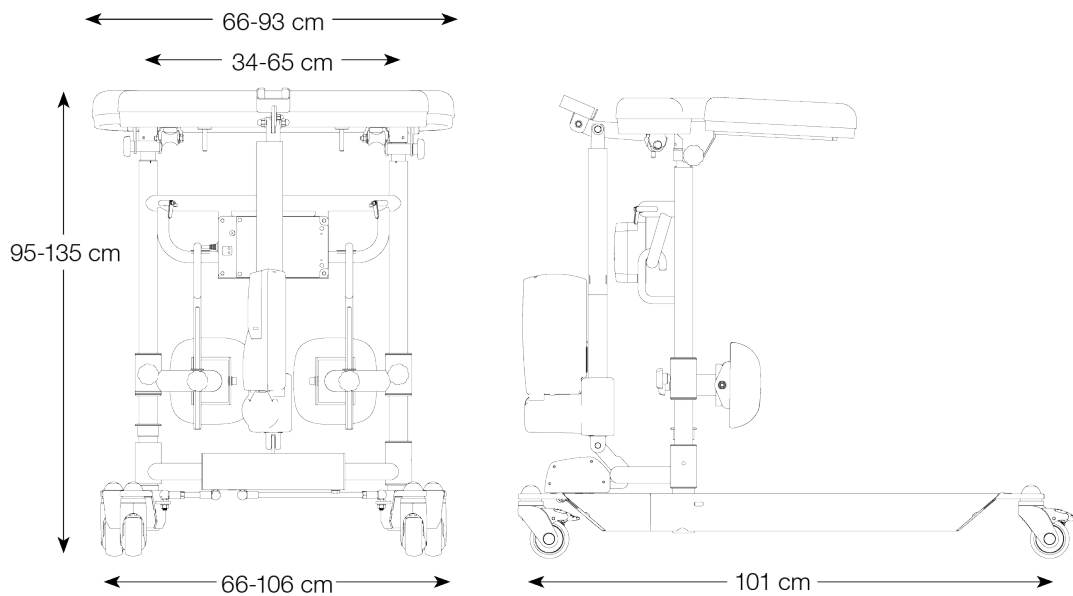
12. Warranty

We provide two years' warranty for manufacturing faults (does not apply to wear parts). For further information or enquiries please contact:

13. Technical specifications

Dimensions apply to walkers with 125 mm castors.

Part no.	Produkt width	Max user weight	Length	Height	Weight	Armrest/Internal dimension
56-309	66-106cm	150kg	101cm	95-135cm	40kg	34-65cm



Direct Healthcare Group

Advancing Movement & Health®

Direct Healthcare Group
Withey Court, Western Industrial Estate
Caerphilly
CF83 1BF

T: 0800 043 0881
F: 0845 459 9832
E: info@directhealthcaregroup.com

LIT-00135 Issue 1
Date: January 2020

DIRECTHEALTHCAREGROUP.COM