

REF

56-309
56-309-AUS
56-309-B/0-PLUS
56-309-B/0-FKNW_R-PU
56-309-B/0-FKNW_R-PU-CH
56-309-B/0-FKHW_R-PU-CH
56-309-B/0-FKHW_R-PS-PU
56-309-B/0-PS-PU
56-309-B/0-PLUS-PU-TKN_R
56-309-B/0-PU
56-309-B/1-FKNW_R-PU
56-309-B/1-PU-CH
56-309-B/1-PLUS-PU
56-309-FKHW_R-PU
56-309-FKNW_R
56-309-FKNW_R-PLUS-RS-US
56-309-FKNW_R-RS-US
56-309-FR
56-309-PLUS
56-309-PLUS-PU
56-309-PLUS-PU-RS
56-309-PLUS-PUK-RS
56-309-PLUS-PU-UK
56-309-PU
56-309-PU-CH
56-309-PU-AUS
56-309-PU-UK
56-309-TKN_R
56-309-UK
56-309/100
56-309/75
56-309/75-AUS
56-309/75-B/0
56-309/75-B/0-PLUS
56-309/75-B/0-PS-PU-R
56-309/75-B/0-PS-PU-TKN_R
56-309/75-B/0-PU
56-309/75-FKN_R
56-309/75-FKNW_R
56-309/75-FKNW_R-PU
56-309/75-FKNW_R-PU-UK
56-309/75-Plus
56-309/75-PLUS-PU
56-309/75-PLUS-PU-UK
56-309/75-PU
56-309/75-PU-AUS
56-309/75-PU-UK
56-309/75-PU-US
56-309/75-TKN_R
56-309/75-UK
56-309/75-US-TRG
56-309L-UK
56-309L-PU
56-309L-PU-UK
56-309L-B/0-AUS
56-309L-B/0-PU-AUS
56-309L/75-B/0-PU-UK
56-309L/75-PU-UK
56-309L/75
56-309L/75-UK

Bure Rise & Go DB

User Manual

Technical Manual

Service Manual



SWL: 150 kg/ 330 lbs

Bure Rise & Go DB

The Bure Rise & Go Double is a conventional, electrically operated Walker that is enhanced with a power rise function. Not only does it act as a Walker, it also makes getting about in everyday life easier thanks to its smart power rise function.

The Bure Rise & Go can be used by anyone who regularly uses a Walker. The user can remain active while the power rise function is in use.

The product consists of a Walker and its associated harness and straps. The harness is available in different sizes (S, M, L, XL) and is split at the rear to make remaining in the harness possible while using the WC. The harness is secured to the two attachment straps (one each side), which are in turn attached to the Walker.

When the patient stands up the electric power rise function is employed and the smart attachment reduces the distance between the patient and the Walker until the patient is standing upright.

The Walker can be used to advantage with a platform to facilitate patient transportation.

Contents

1. Intended Use	03
2. Contraindications, Precautions and Warnings	03
3. Standing Up Using the Bure Rise & Go DB	05
4. Raising/Lowering the Frame	07
5. Adjusting the Handles	07
6. Left and Right Adjustment of Armrests	07
7. Locking/Unlocking Castors	07
8. Adjusting the Shin Supports	07
9. Control Box Wiring	07
10. Battery Charging	08
11. LED on Control Box and Battery	08
12. Maintenance	09
13. General Maintenance Advice & Cleaning	10
14. Technical Specifications	10
15. Recycling/Disposal	11
16. Warranty	11
17. Electrical System - Technical Data	12
18. Remote Control Plus	12
19. Parts List	13
20. Accessories	13
21. Table of Symbols	15

1. Intended Use

Walkers are indoor, movable and portable assistive aids, which together with approved accessories are intended to be used for transfer from sitting to standing positions, and walking training. Walkers are to be used by persons with reduced muscular strength, who shall be able to stand and perform simple leg movements. Walkers are to be used for leaning on when walking and standing during early mobilization training. Walkers and accessories are intended for indoor use only in Home Healthcare environment and Professional Healthcare facility environment.

2. Contraindications, Precautions and Warnings

Contraindications

- The device may not be used by patients above the maximum weight indicated on the label of the device.

Precautions

- Check that the device is used on a dry and flat surface.
- Check the device is correctly mounted/assembled before its first use.
- Check the device after every folding/disassembly after any transport.
- Check height adjustment and leg spreading motions and inspect the actuators' or gas pistons' full ranges.
- Activate the brakes whenever the device is not in use.
- Check the function of the brakes before use.
- Inspect the device regularly to detect any signs of damage. If there are any visible signs of damage, contact Direct Healthcare Group Customer Service.
- In case of an electrical model of the device, check that the hand control does not show signs of wear before every use.
- Check that the hand control markings are in accordance with the lifting functions.
- Check the battery status of an electrically operated model, before using the device.
- It is important to never leave the user alone during the transfer.
- Warranty applies only if repairs or alterations are made by personnel who are authorized by Direct Healthcare Group.
- Ensure that there are no obstacles or people in the way of the device, when moving.
- Handle batteries with care. Do not drop.
- Use only batteries and cables that are intended for the device as instructed by the manufacturer.
- Verify that potential accessories that might be used are properly attached to the device before use.
- Low speed is recommended when moving with the device.
- Take care not to drive the device over thresholds with high speed or force. Approach the threshold with lower speed and communicate the coming threshold to the user.
- Keep the instructions for use together with the product so that it can be used as a reference if necessary.

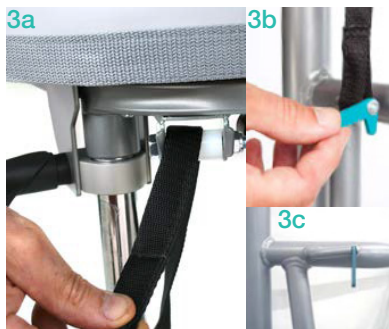
Warnings

- The caregiver must be able to read and understand the Manual/IFU of the product.
- It is important to only use approved accessories as stated in the manual/IFU to prevent unintended detachment of components and subsequently a fall that may lead to patient injury.
- Use careful and gentle maneuvers when moving the device.
- Perform maintenance/service of the device, according to the instructions in the manual/IFU, at least once every 12 months.
- Accessories must be properly attached. They should be tested in relation to the user's needs and functional ability.
- Special care must be taken when using strong electrical power sources such as diathermy and the like so that diathermy cables are not placed on or near the device. In case of doubt consult with a Direct Healthcare Group representative.
- When lifting the device, only use the denoted handholds. At least two people are required for lifting the device
- Do not leave a user or patient unattended when the device is being used.
- Never move the lift by pulling on the actuator or gas piston.
- The device must not be lowered into water.
- The device must not be left or stored in a damp or humid environment.
- The device must not be cleaned using steam.
- The device must not be charged in a wet room.
- The device must not be used outdoors, only indoors.

3. Standing Up Using the Bure Rise & Go

Because standing up or transporting patients always entails risks we recommend that two people are always present to assist the user at such times.

1. Fit the harness as low as possible across the hips and bottom with the broad upper part around the hips and the narrow lower part around the bottom. Attach the strap with the Velcro fastener and tighten it using the steplessly adjustable safety belt. Note that the lower part of the harness attached around the patient's bottom can be opened as required, e.g. for visits to the WC
2. Place the user's legs at a 90° angle with their feet on the floor or platform. Adjust the shin supports to fit the user's shins; remember to avoid pressure on the patellae and patellar tendons. Refer to page 5 for shin support adjustment.
3. Thread both attachment belts through the Walker's frame and the green locking devices. Make sure the belts are threaded completely through the locking devices. NB: Check especially that the belts are undamaged. Check that belts are not worn or frayed and that the holder and straps are NOT bent or crooked. If the holder and belts are crooked (pic 3c-red line) it is a sign that the product has been overloaded, in which case the frame must be replaced before further use.
4. Connect the power rise harness and attachment belts (that are secured to the Walker) and tighten them using the loops; the belts must be taught on both sides. (see fig. 4a)
Note: Slide the loop back once the straps have been tightened – this prevents tangling (see fig. 4b).



5. Swing the forearm supports to the side; the user must now grasp the handles WITHOUT support for the forearms.
6. Lock at least two of the Walker's castors (any two) and fold down the stirrup.
7. Perform the standing manoeuvre and check that the harness pulls evenly on both sides; if not, adjust immediately. During the standing manoeuvre one carer must stand in front of the user while applying their weight to the stirrup and maintaining eye contact with the patient. The other carer may stand next to the patient.
8. In most cases the patient will not achieve a fully upright standing position; encourage the patient to achieve a final upright posture independently or assist the patient by tightening the adjustable harness straps.
9. Lower the Walker to its individually adjusted height and swing the forearm supports back into position to provide support for the user. If a platform is not being used, swing the shin supports away for increased walking room: refer to page 5, Shin support adjustment. The harness may remain attached for enhanced safety, e.g. during transportation using the platform.



4. Raising/Lowering the Frame

Adjust the height with the aid of the remote control <UP> and <DOWN> arrows.

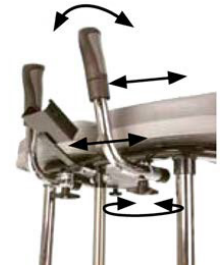


5. Adjusting the Handles

To adjust handles to the desired position, undo knob, adjust handle tighten knob.

6. Left and Right Adjustment of Armrests

The armrests can be adjusted sideways for optimal support: the whole arm can be moved in or out and locked with the knob.



7. Locking/Unlocking Castors

Depress the foot brake to set it and lock the castor. To unlock, press down on the protruding part of the brake.



8. Adjusting the Shin Supports

a - knob for height adjustment

b - knob for locking shin supports in forward position (when not in use)



9. Control Box Wiring

Remove the control box cover to make the connections as described below. Use a screwdriver or similar; refer to the special labels on the control box.

NOTE! Make sure that plugs are connected to the correct sockets otherwise the actuators can be damaged.

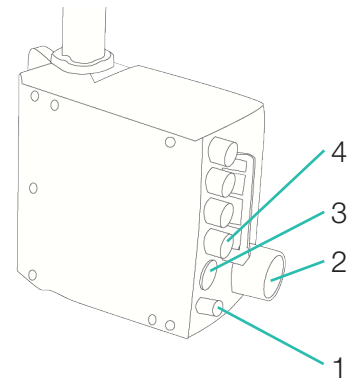
T-motion:

1. Socket for the raise/lower actuator. NOTE: Make sure that plugs are connected to the correct sockets otherwise the actuators can be damaged.
2. Remote control socket.
3. Battery terminal socket.
4. Plug socket. NOTE: Plugs must ALWAYS be connected to the control box for IP classification to be valid.



Linak:

1. Battery terminal socket
2. Plug socket
(NOTE: Plugs must always be connected to the control box for IP classification to be valid.)
3. Remote control socket
4. Socket for the raise/lower actuator



10. Battery Charging

- Connect plug to 230V wall socket. Charging begins automatically and the battery LED flashes green.
- Make sure the battery is fully charged before using for the first time. It takes around 25 h to fully charge the battery.
- We recommend that the battery plug be removed from the control box if the product will be out of use for an extended period (more than one week) or if the battery is switched off by means of the ON/OFF switch. This eliminates the risk of disabling the battery as the control box always uses a small quantity of electricity even when the Walker is not in use.

11. LED on Control Box and Battery

Control box – green light when power is available from battery/mains socket.

Battery:

- The LED flashes green during charging.
- ON/OFF: To use the product, press ON.
- The green lamp will begin to flash.
- Use the OFF button (hold down for 5 s) to switch off the battery if the product will not be used for an extended period.
- The LED will show a constant green light when the battery is fully charged.
- When the battery is in normal state/in operation, the LED flashes green at REGULAR intervals, namely 0.5 s ON, 4 s OFF.
- When the battery requires charging (remaining charge <25%) the LED will flash orange/red at REGULAR intervals, namely 0.5 s ON, 4 s OFF.



NOTE: The battery has an in-built device that automatically switches it off when remaining charge is <20%. The LED is then extinguished. The battery must now be fully charged before the electronics can be used again.

12. Maintenance

Recommended at least once per year.

Check that	Action
<p>General The Walker feels firm/free from play. The Walker does not rattle during manoeuvres. The Walker is level and all of its castors are in contact with the floor. The Walker is not dirty.</p>	<p>Clean with lukewarm soap solution or alcohol-based cleaning agent (no petroleum products).</p>
<p>Arm rests Arm rests are intact and clean. Arm rest widening is functional.</p>	<p>Clean; replace if damaged. Replace lock knob</p>
<p>Handle Grips are not damaged/dirty. Handle adjustment is functional</p>	<p>Clean with lukewarm soap solution (no petroleum products). Replace handle grips. Fit lock knobs/plates as required.</p>
<p>Battery Check that the charging cable is connected to the control box. Check that the remote control is connected to the control box. Connect or fit new remote control as required. Check that the battery, actuators and control box are not loose.</p>	<p>Fit new cable; this must always be connected to the control box (IP65 classification). Connect; replace with new remote control as required. Refer to the wiring diagram in the Technical manual. Tighten; replace with new fasteners as required.</p>
<p>Height adjustment Raising and lowering are functional. The Walker feels stable at maximum settings. There is no play between the vertical frame and bottom frame. Height adjustment clamps lock. The electric actuator fitting must be free from play. Height adjustment via remote control is functional. The electric actuator must run smoothly at a constant speed.</p>	<p>Fit new guide sleeves (in frame) or end plugs (in chrome tubes) as required. Tighten all lock bolts. Replace clamps. Tighten the attachment fitting concerned; replace bolts/lock nuts as necessary. Check that the battery/remote control/actuator are connected in accordance with the wiring diagram. Charge the battery. Contact customer services.</p>
<p>Frame parts There is no mechanical damage. There are no scratches. End plugs/lower frame fitted.</p>	<p>If damage is present, contact GATE's customer services. Touch up as necessary. Fit new end plugs.</p>
<p>Castors/brakes Castors roll easily/tread not damaged. The castors are tightly fastened to the lower frame. Castor brakes functional on all castors. Handbrake functional.</p>	<p>Clean or replace castors (NOTE! Castors are always fixed to the lower frame with thread locker or lock nuts. The castors are sealed and we do not recommend their dismantling; instead, replace the whole castor assembly. Tighten the castor bolt and fit locking nut or use thread locker (depends on model). Replace castor assembly. Adjust the brake or fit new castors.</p>
<p>Harness Belts, seams and Velcro fasteners are whole/intact. The Walker lockplate (green) is functional.</p>	<p>Replace harness. Available in three sizes (S, M, & L) Replace lockplate</p>
<p>Holder, belts Holder, belts not bent (see Figure s3). Harness and attachment belts must be replaced every three years.</p>	<p>A bent holder is a sign that the product has been overloaded. The frame must be replaced before further use. The action is then "Check harness labeling. If the harness production date is older than 3 years, the harness and belts must be scrapped.</p>

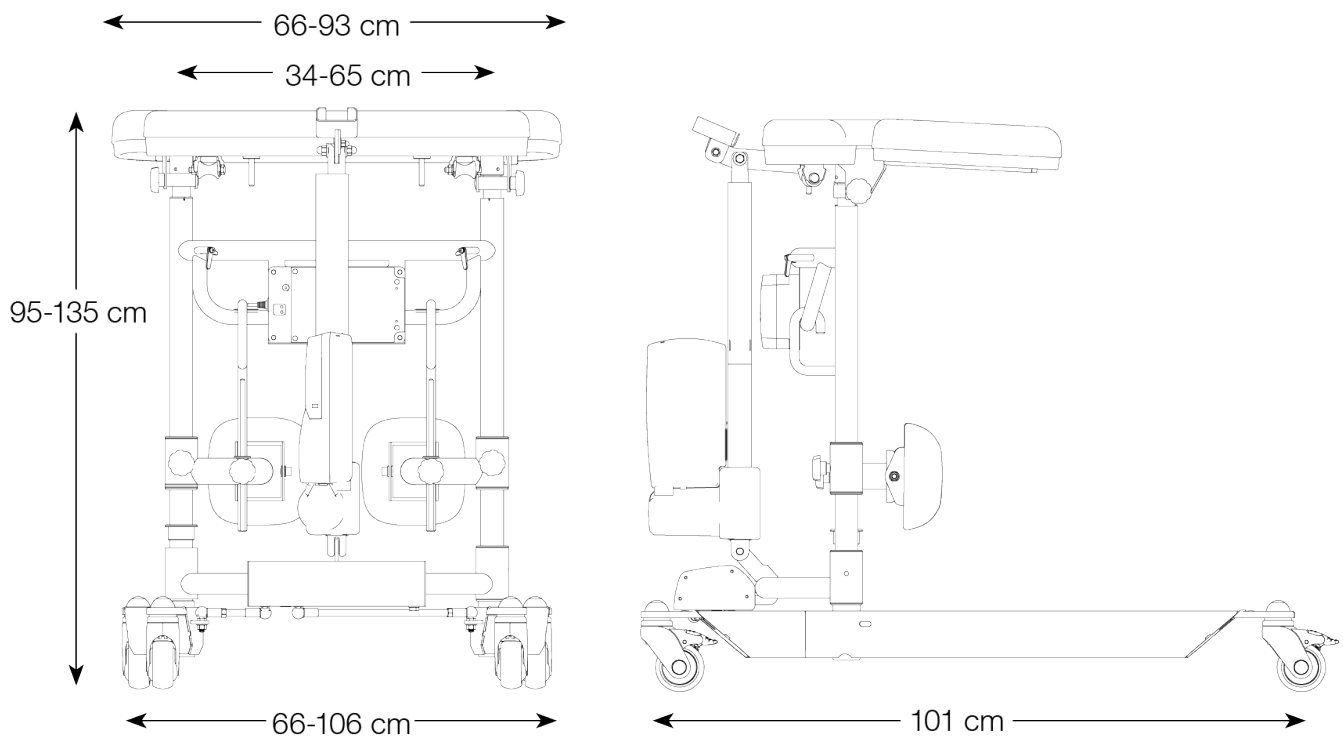
13. General Maintenance Advice & Cleaning

- Before use, check that the holder and belts are not bent (see Figure s3).
- Before use, check that the harness is not more than 3 years old (see labeling).
- Wipe the Walker and its armrests clean as necessary; use soap solution/surface disinfectant.
- The product can be washed in washer/machine or similar since electronic components are sealed to IP65 classification. Please note that the product is not made out of stainless material – frequent use of water/ detergents may therefore shorten the life of the product.
- Replace damaged parts immediately; must be done by experienced personnel.
- The product is only intended for indoor use.

14. Technical Specifications

Dimensions apply to Walkers with 125 mm castors.

Part No.	Product width	Max user weight	Length	Height	Weight	Armrest/ Internal dimensions
56-309	66-106 cm	150 kg	101 cm	95-135 cm	40 kg	34-65 cm



15. Recycling/Disposal

When the product is no longer usable it should be recycled in accordance with legislation and regulations in the country concerned. All electrical parts including batteries must be removed and recycled as electrical components. (Ask your local recycling station for further information about how the different materials in the product (metals, plastics, electronics) should be recycled).

16. Warranty

We provide two years' warranty for manufacturing faults (does not apply to wear parts).
For further information or enquiries please contact:

Direct Healthcare Group Sverige AB
Torshamnsgatan 35,
SE-164 40 Kista, Sweden

Tel: +46 (0)8-557 62 200
info.se@directhealthcaregroup.com
www.directhealthcaregroup.com

17. Electrical System - Technical Data (T-motion/Linak)

Actuator	Lift	Widening	Lift	Widening
Producer	TiMotion	TiMotion	Linak	Linak
Voltage	12V	24V	24 V	24 V
Push	2000N/1500N	1000N	1000N/1500N/2000N	1200 N
Pull	2000N/1500N	1000N	1000N/1500N/2000N	1200 N
Self-locking push	1000N	1000N	7A	3 A
Current	6.6 (+/-1,0)A	2.6 (+/-0,4)A	7A ut/7 A in	3A ut/3 A in
Colour	Black	Aluminium	White	White
Stroke	400mm	55mm	400 mm	55 mm
Mounting dim	605mm	167mm	606+/-2 mm	165 +/- 2 mm
Encapsulation	IP66	IP66	IPX6	IPX6

IEC60601-1 3rd revision

Control box + Battery

Producer	T-Motion	Linak
Voltage	24V	230V/24V
Capacity	2.0AH	2,25 Ah
Encapsulation	IP66	IPX6
Colour	Black	White
Electrical safety	Class II	Class II (Dubbel insulated)

IEC60601-1 3rd revision

18. Remote Control Plus

**1. Service indicator – flashes red after 11 months' operation.

Constant light (red) after 12 months' operation. The indicator is a reminder to review the maintenance instruction (see Instructions for Use/Technical Manual. This should be done at least once every 12 months.

Reset: hold down buttons <2a> + <2b> for at least 30 seconds.

**The indicator will go out around 30 seconds after the remote control is activated (battery conservation function).



19. Parts List

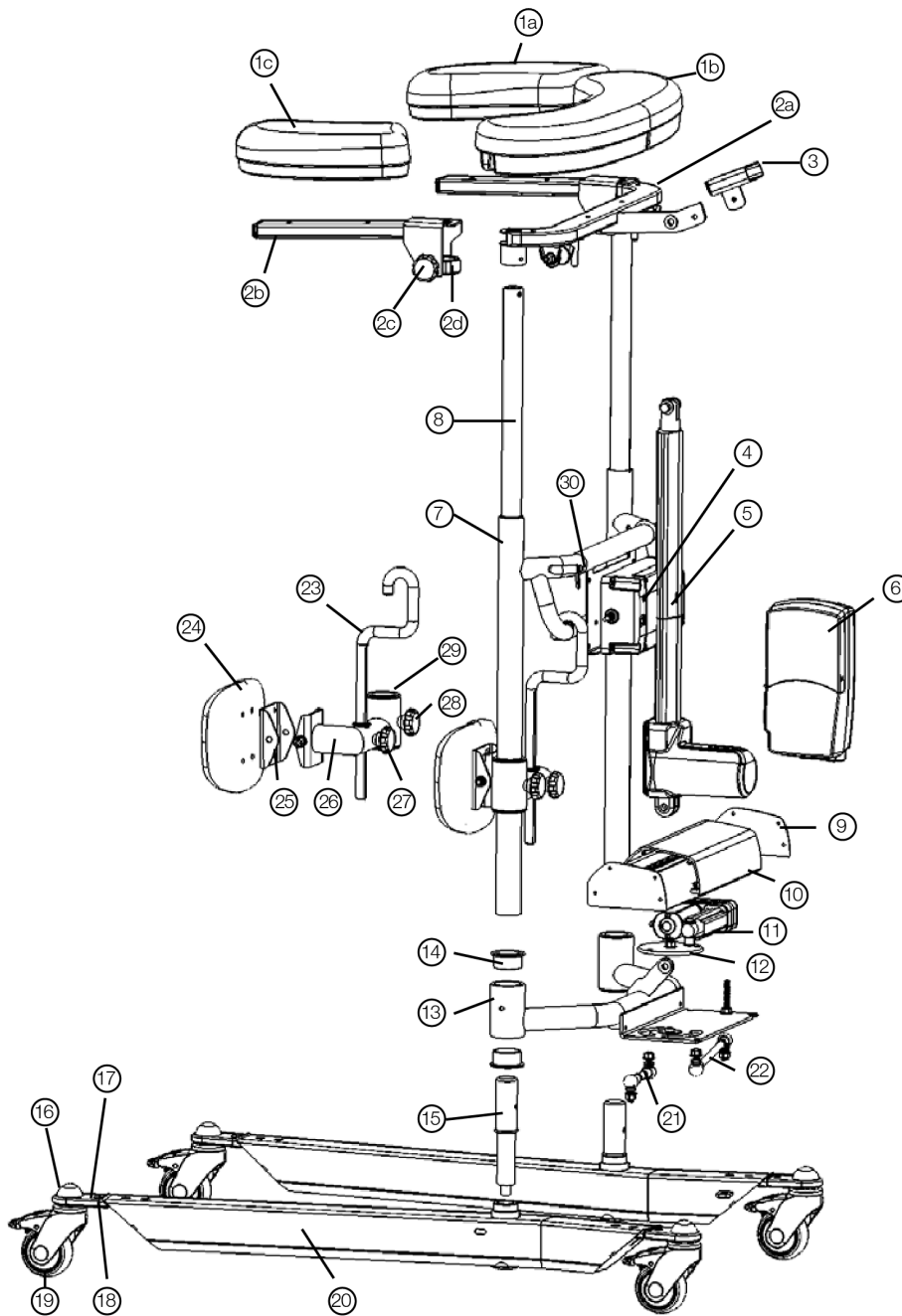
1a	58-306-L	Armrestpad left	14	58-302	Bearing (x2) Cross section
1b	58-305	Armrestpad center	15	58-353	Turn axle, beam
1c	58-306-R	Armrestpad right	16	57-776 57-775	Cover, Wheel Washer, wheel
2a	58-363	Frame/Armrest center	17	58-360	Cover, Wheelplate (PA)
2b	58-304-L/R	Frame/Armrest center (left/right)	18	58-354	Wheel mount beam
2c	57-352	Lock lever	19	57-051 57-319 57-049	Wheel 75mm Wheel 100mm Wheel 125mm
2d	58-301	Clamp aluminium	20	58-355-L 58-355-R	Bottom beam, left Bottom beam, right
3	57-041-3	Holder, Remotecontrol (TH7)	21		Linking arm, right
4	58-376	Battery, TiMotion	22		Linking arm, left
5	58-377	Actuator, TiMotion	23	58-310-1	Hook (for knee support)
6	58-373 58-373-1	Controlbox 220V, TiMotion Controlbox 110V, TiMotion	24	58-312	Knee support
7	58-351	Vertical frame	25	58-385	Holder/Knee support (only PUR)
8	58-311	Telescopic Innertube incl. bronze bearing	26	58-308-1-L/R	Hinged arm/knee support (left/right)
9	58-358	Sideplate (2x) alu	27	57-710	Knob, hook adustment L=27
10	58-356	Aluprofile, widening	28	57-839	Knob, Hinged arm/knee, L=15
11	58-378	Actuator, widening (TiMotion)	29	58-302	Bushing, PA6
12	58-364	Circular plate	30	58-322	Strap blocker, green
13	58-352	Cross section			

20. Accessories












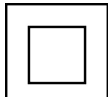

Part no.	Description
	Manual brake, 2 handles
	Manual brake, 1 handle
56-333-DB	Standing plate, Short
56-383-DB	Standing plate, Long
56-334	Dripstand, Chromed
56-334	Holder for Dripstand
56-336	Oxygen tube holder
56-337	Side support
56-338	Dripstand holder, Complete
56-387	Wheel w brake 75 mm

BURE RISE & GO DB

56-358	Wheel w brake 100 mm
56-361	Wheel w brake 125 mm
57-365	Armrestpad center, PUR
57-365-L/R	Armrestpad left/right, PUR
57-367	Kneepad, PUR
58-374-2	Remote Control (TH7)
56-062	Remote Control PLUS, DB (TH10)
58-320 (-1, -2, -3)	Cable/EUR (-UK, -US, -AUS)
58-326 (-1, -2, -3)	Coiled Cable/EUR (-UK, -US, -AUS)



21. Table of Symbols

	This product complies with the requirements of the Medical Device Regulation 2017/745		Visual Inspection
	Medical Device		Read the manual
	Caution		Product Code
	Manufacturer information		Batch Code
	Type BF, according to the degree of protection against electric shock		The device is intended for indoor use
	WEEE Symbol May not be discarded in domestic waste		Class II Equipment
	Duty Cycle: 2 min in active (ON) mode. 18 min in rest (OFF) mode.		



Medical Device Class I

Medical Device Class I. The product complies with the requirements of the Medical Devices Regulation 2017/745.

Direct Healthcare Group

Advancing Movement & Health®

Direct Healthcare Group Sverige AB
Torshamnsgatan 35,
SE-164 40 Kista, Sweden

Tel: +46 (0)8-557 62 200
info@directhealthcaregroup.com
www.directhealthcaregroup.com