

**REF**

56-317T-B/0  
56-317T-B/0-PS  
56-317T-B/0-FKH\_R-PSPU-CH  
56-317T-B/0-PU-CH  
56-317T-FKH\_R-PLUS-PU  
56-317T/75-PU  
56-317T-TK  
56-317T-UK  
56-317T/100  
56-317T/75  
56-317T/75-B/0  
56-317T/75-FKH\_R-PLUS-PU  
56-317T/75-PU  
56-317T/75-TK  
56-318  
56-318-BRAKE/0  
56-318-B/1  
56-318-PU-RED  
56-318/75  
56-318/75-BRAKE/0  
56-318-S  
56-318-S/75  
56-318-S-B/0  
56-318-S-B/1  
56-304  
56-304-B/0-FKN\_R  
56-304-B/0-FKH\_R-PU  
56-304-B/0-FKH\_R-PL-PU-R  
56-304-B/0-PU  
56-304-B/1-PL-PU  
56-304-PARSONS-CAN  
56-304-PLUS  
56-304-PLUS-PU  
56-304-PLUS-PU-UK  
56-304-PLUS-RED  
56-304-PU  
56-304-RED  
56-304/100  
56-304/75  
56-304/75-B/0  
56-304/75-B/0-FKH\_R-PS-PU  
56-304/75-B/0-FKN\_R-PU  
56-304/75-B/1  
56-304/75-PLUS  
56-304/75-PLUS-PU  
56-304/75-PU  
56-304L-PU  
56-304L-PU-UK  
56-307  
56-307/100  
56-307/75  
56-307-B/1-PU  
56-307-B/1-PU-RED  
56-307-PU  
56-307/LOW

# Bure Ortho Bure Space

User Manual

Technical Manual

Service Manual



**SWL: 150 kg/ 330 lbs**

# Bure Ortho

## Bure Space

Ortho is especially designed for orthopaedics departments and situations that demand extra legroom and room for manoeuvre for the user. Ortho has a powerful electric motor for powered height adjustment. Walker heights are thus adjustable with the patient in situ and the Walker can be used as a stand-up aid. Ortho is also available in a small version – Ortho S (only available in the gas version) – with a max frame width of only 65 cm. In addition to Ortho's advantages, Bure Space also has extra room to get up close to wheelchairs or similar. The base frame has been made wider and the internal width extended to 67 cm. Bure Space is available with electrically operated or hydraulic height adjustment.

### Contents

1. Intended Use	03
2. Contraindications, Precautions and Warnings	03
3. Raising/Lowering the Frame - Electric	04
4. Raising/Lowering the Frame - Gas	04
5. Adjusting the Handles	04
6. Left and Right Adjustment of Armrests	05
7. Locking/Unlocking Castors	05
8. Control Box Wiring	05
9. Battery Charging	06
10. LEDs on Control Box and Battery	06
11. Maintenance	07
12. General Maintenance Advice & Cleaning	08
13. Technical Specifications	08
14. Recycling/Disposal	09
15. Warranty	09
16. Electrical System - Technical Data (T-motion/Linak)	10
17. Remote Control Plus	10
18. Parts List	11
19. Replacement Parts List	13
20. Accessories	14
21. Table of Symbols	14

## 1. Intended Use

Walkers are indoor, movable and portable assistive aids, which together with approved accessories are intended to be used for transfer from sitting to standing positions, and walking training. Walkers are to be used by persons with reduced muscular strength, who shall be able to stand and perform simple leg movements. Walkers are to be used for leaning on when walking and standing during early mobilization training. Walkers and accessories are intended for indoor use only in Home Healthcare environment and Professional Healthcare facility environment.

## 2. Contraindications, Precautions and Warnings

<b>Contraindications</b>
The device may not be used by patients above the maximum weight indicated on the label of the device.
<b>Precautions</b>
Check that the device is used on a dry and flat surface.
Check the device is correctly mounted/assembled before its first use.
Check the device after every folding/disassembly after any transport.
Check height adjustment and leg spreading motions and inspect the actuators' or gas pistons' full ranges.
Activate the brakes whenever the device is not in use.
Check the function of the brakes before use.
Inspect the device regularly to detect any signs of damage. If there are any visible signs of damage, contact Direct Healthcare Group Customer Service.
In case of an electrical model of the device, check that the hand control does not show signs of wear before every use.
Check that the hand control markings are in accordance with the lifting functions.
Check the battery status of an electrically operated model, before using the device.
It is important to never leave the user alone during the transfer.
Warranty applies only if repairs or alterations are made by personnel who are authorized by Direct Healthcare Group.
Ensure that there are no obstacles or people in the way of the device, when moving.
Handle batteries with care. Do not drop.
Use only batteries and cables that are intended for the device as instructed by the manufacturer.
Verify that potential accessories that might be used are properly attached to the device before use.
Low speed is recommended when moving with the device.
Take care not to drive the device over thresholds with high speed or force. Approach the threshold with lower speed and communicate the coming threshold to the user.
Keep the instructions for use together with the product so that it can be used as a reference if necessary.

<b>Warnings</b>
The caregiver must be able to read and understand the Manual/IFU of the product.
It is important to only use approved accessories as stated in the manual/IFU to prevent unintended detachment of components and subsequently a fall that may lead to patient injury.
Use careful and gentle maneuvers when moving the device.
Perform maintenance/service of the device, according to the instructions in the manual/IFU, at least once every 12 months.
Accessories must be properly attached. They should be tested in relation to the user's needs and functional ability.
Special care must be taken when using strong electrical power sources such as diathermy and the like so that diathermy cables are not placed on or near the device. In case of doubt consult with a Direct Healthcare Group representative.
When lifting the device, only use the denoted handholds. At least two people are required for lifting the device
Do not leave a user or patient unattended when the device is being used.
Never move the lift by pulling on the actuator or gas piston.
The device must not be lowered into water.
The device must not be left or stored in a damp or humid environment.
The device must not be cleaned using steam.
The device must not be charged in a wet room.
The device must not be used outdoors, only indoors.

### 3. Raising/Lowering the Frame - Electric

Adjust the height with the aid of the remote control <UP> and <DOWN> arrows.



### 4. Raising/Lowering the Frame - Gas

Release the gas strut by moving the handle upward (the gas strut will raise the Walker). Let go of the handle at the desired height (the gas strut will lock).



Release the gas strut by moving the handle upward. Use your body weight to press the frame down. Let go of the handle at the desired height (the gas strut will lock).

### 5. Adjusting the Handles

To adjust handles to the desired position; undo knob, adjust handle, tighten knob.



## 6. Left and Right Adjustment of Armrests

The armrests can be adjusted sideways for optimal support; undo knob, adjust armrest, tighten knob.

NOTE: The rear attachments on the frame/armrest are interchangeable (left with right and vice versa) to provide different widths. The locating pins on the cushion's underside/rear can also be moved. These adjustment capabilities make customisation possible.



## 7. Locking/Unlocking Castors

Depress the foot brake to set it and lock the castor.

Press down on the protruding part of the brake to release it.



## 8. Control Box Wiring

Remove the control box cover to make the connections as described below. Use a screwdriver or similar; refer to the special labels on the control box.

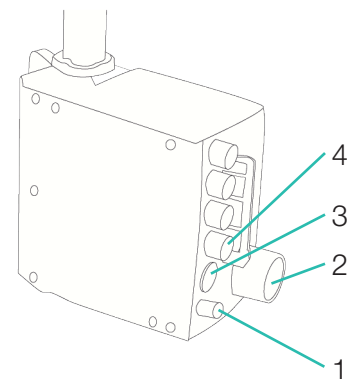
### T-motion:

1. Socket for the raise/lower actuator. NOTE: Make sure that plugs are connected to the correct sockets otherwise the actuators can be damaged.
2. Remote control socket.
3. Battery terminal socket.
4. Plug socket. NOTE: The plug must ALWAYS be connected to the control box for IP protection to be valid.



### Linak:

1. Battery terminal socket.
2. Plug socket.  
(NOTE: Plugs must always be connected to the control box for IP classification to be valid.)
3. Remote control socket.
4. Socket for the raise/lower actuator.



## 9. Battery Charging

- Connect plug to 230V wall socket. Charging begins automatically and the battery LED flashes green.
- Make sure the battery is fully charged before using for the first time. It takes around 25 h to fully charge the battery.
- Charge the battery for at least 8 hours.
- We recommend that the battery plug be removed from the control box if the product will be out of use for an extended period (more than one week) or if the battery is switched off by means of the ON/OFF switch. This eliminates the risk of disabling the battery as the control box always uses a small quantity of electricity even when the Walker is not in use.

## 10. LEDs on Control Box and Battery

Control box – green light when power is available from battery/mains socket.

Battery:

- The LED flashes green during charging.
- ON/OFF: To use the product, press ON.
- The green lamp will begin to flash.
- Use the OFF button (hold down for 5 s) to switch off the battery if the product will not be used for an extended period.
- The LED will show a constant green light when the battery is fully charged.
- When the battery is in normal state/in operation, the LED flashes green at REGULAR intervals, namely 0.5 s ON, 4 s OFF.
- When the battery requires charging (remaining charge <25%) the LED will flash orange/red at REGULAR intervals, namely 0.5 s ON, 4 s OFF.



NOTE: The battery has an in-built device that automatically switches it off when remaining charge is <20%. The LED is then extinguished. The battery must now be fully charged before the electronics can be used again.

## 11. Maintenance

Recommended at least once per year.

Check that	Action
<p><b>General</b></p> <p>The Walker feels firm/free from play.            The Walker does not rattle during manoeuvres.            The Walker is level and all of its castors are in contact with the floor.            The Walker is not dirty.</p>	<p>Clean with lukewarm soap solution or alcohol-based cleaning agent (no petroleum products).</p>
<p><b>Armrests</b></p> <p>Arm rests are intact and clean.            Arm restwidening is functional.</p>	<p>Clean; replace if damaged.            Fit lock knobs/plates as required</p>
<p><b>Handtag</b></p> <p>Grips are not damaged/dirty.            Handle adjustment is functional.</p>	<p>Clean with lukewarm soap solution (no petroleum products).            Replace handle grips.            Fit lock knobs/plates as required.</p>
<p><b>Battery</b></p> <p>Check that the charging cable is connected to the control box.            Check that the remote control is connected to the control box.            Check that connections are made according to the wiring diagram.            Check that the battery, actuators and control box are not loose.</p>	<p>Fit new cable; this must always be connected to the control box (IP65 classification).            Connect or fit new remote control as required.            Refer to the wiring diagram in the Technical manual.            Tighten; replace with new fasteners as required.</p>
<p><b>Height adjustment</b></p> <p>Raising and lowering are functional.            The Walker feels stable at maximum settings.            There is no play between the vertical frame and bottom frame.            Height adjustment clamps lock.            The electric actuator fitting must be free from play. Height adjustment via remote control is functional. The electric actuator must run smoothly at a constant speed.</p>	<p>Fit new guide sleeves (in frame) or end plugs (in chrome tubes) as required.            Tighten all lock bolts.            Replace clamps.            Tighten the attachment fitting concerned; replace bolts/lock nuts as necessary.            Check that the battery/remote control/ actuator are connected in accordance with the wiring diagram. Charge the battery. Contact customer services.</p>
<p><b>Frame parts</b></p> <p>There is no mechanical damage.            There are no scratches.            End plugs/lower frame fitted.</p>	<p>If damage is present, contact GATE's customer services.            Touch up as necessary.            Fit new end plugs.</p>
<p><b>Castors/brakes</b></p> <p>Castors roll easily/tread not damaged.            The castors are tightly fastened to the lower frame.            Castor brakes functional on all castors.            Handbrake functional.</p>	<p>Clean or replace castors (NOTE: Castors are always fixed to the lower frame with thread locker or lock nuts. The castors are sealed and we do not recommend their dismantling; instead, replace the whole castor assembly).            Tighten the castor bolt and fit locking nut or use thread locker (depends on model).            Replace castor assembly.            Adjust the brake or fit new castors.</p>



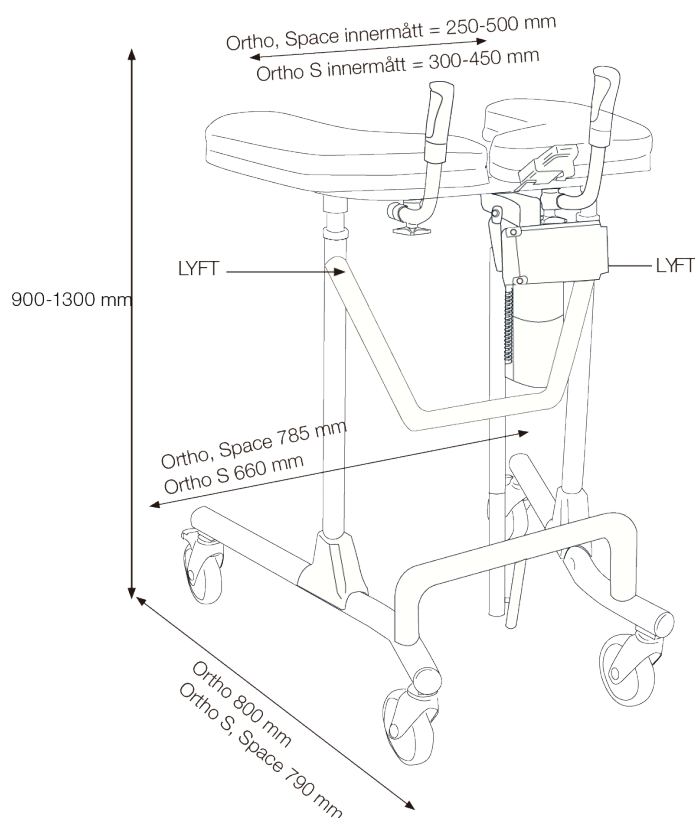
## 12. General Maintenance Advice & Cleaning

- Wipe the Walker and its armrests clean as necessary; use soap solution or alcohol-based surface disinfectant.
- The product may be cleaned in a tunnel washer or similar as electrical systems have IP65 protection. However, the product is not corrosion proof which means washing by machine may reduce its service life.
- Replace damaged parts immediately; must be done by experienced personnel.
- The product is only intended for indoor use.

## 13. Technical Specifications

Dimensions apply to Walkers with 125 mm castors.

Part No.	Product	Product width	Max user weight	Length	Height	Armrest/ internal dimension
56-317T	Bure Ortho EL	78cm	150kg	80cm	90-130cm	25-50cm
56-304	Bure Space EL	78cm	150kg	79cm	90-130cm	25-50cm
56-318	Ortho Gas	78cm	150kg	80cm	90-130cm	25-50cm
56-307	Ortho Space Gas	78cm	150kg	79cm	90-130cm	25-50cm
56-318-S	Ortho S Gas	65cm	150kg	79cm	90-130cm	30-45cm



Product weight: 20 kg (Gas: 15 kg)

"LIFT" denotes suitable handhold for lifting the Walker.

NOTE: At least two people are required for lifting.



## 14. Recycling/Disposal

When the product is no longer usable it should be recycled in accordance with legislation and regulations in the country concerned. All electrical parts including batteries must be removed and recycled as electrical components. (Ask your local recycling station for further information about how the different materials in the product (metals, plastics, electronics) should be recycled).

## 15. Warranty

We provide two years' warranty for manufacturing faults (does not apply to wear parts).  
For further information or enquiries please contact:

Direct Healthcare Group Sverige AB  
Torshamnsgatan 35,  
SE-164 40 Kista, Sweden

Tel: +46 (0)8-557 62 200  
info.se@directhealthcaregroup.com  
www.directhealthcaregroup.com

## 16. Electrical System - Technical Data (T-motion/Linak)

Actuator	Lift	Widening	Lift	Widening
Producer	TiMotion	TiMotion	Linak	Linak
Voltage	12V	24V	24 V	24 V
Push	2000N/1500N	1000N	1000N/1500N/2000N	1200 N
Pull	2000N/1500N	1000N	1000N/1500N/2000N	1200 N
Self-locking push	1000N	1000N	7A	3 A
Current	6.6 (+/-1,0)A	2.6 (+/-0,4)A	7A ut/7 A in	3A ut/3 A in
Colour	Black	Aluminium	White	White
Stroke	400mm	55mm	400 mm	55 mm
Mounting dim	605mm	167mm	606+/- 2 mm	165 +/- 2 mm
Encapsulation	IP66	IP66	IPX6	IPX6

IEC60601-1 3rd revision

### Control box + Battery

Producer	T-Motion	Linak
Voltage	24V	230V/24V
Capacity	2.0AH	2,25 Ah
Encapsulation	IP66	IPX6
Colour	Black	White
Electrical safety	Class II	Class II (Dubbel insulated)

IEC60601-1 3rd revision

## 17. Remote Control Plus

\*\*1. Service indicator – flashes red after 11 months' operation.

Constant light (red) after 12 months' operation. The indicator is a reminder to review the maintenance instruction (see Instructions for Use/Technical Manual. This should be done at least once every 12 months.

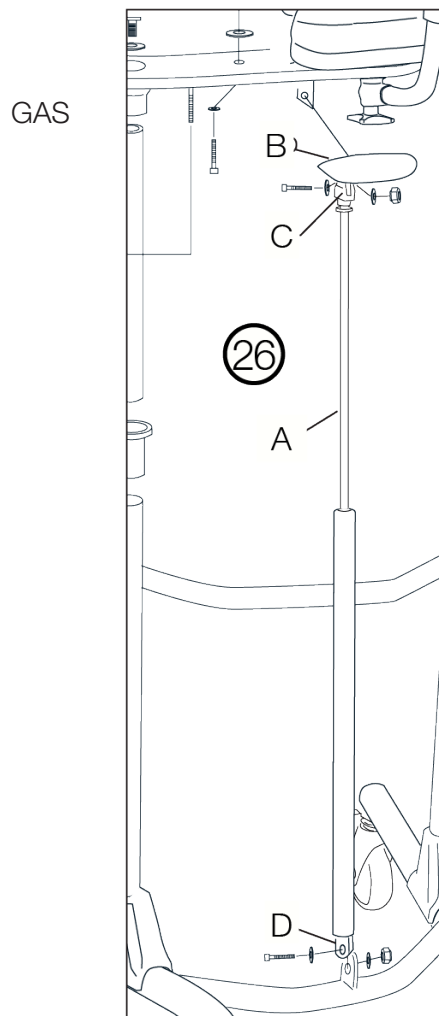
Reset: hold down buttons <2a> + <2b> for at least 30 seconds.

\*\*The indicator will go out around 30 seconds after the remote control is activated (battery conservation function).

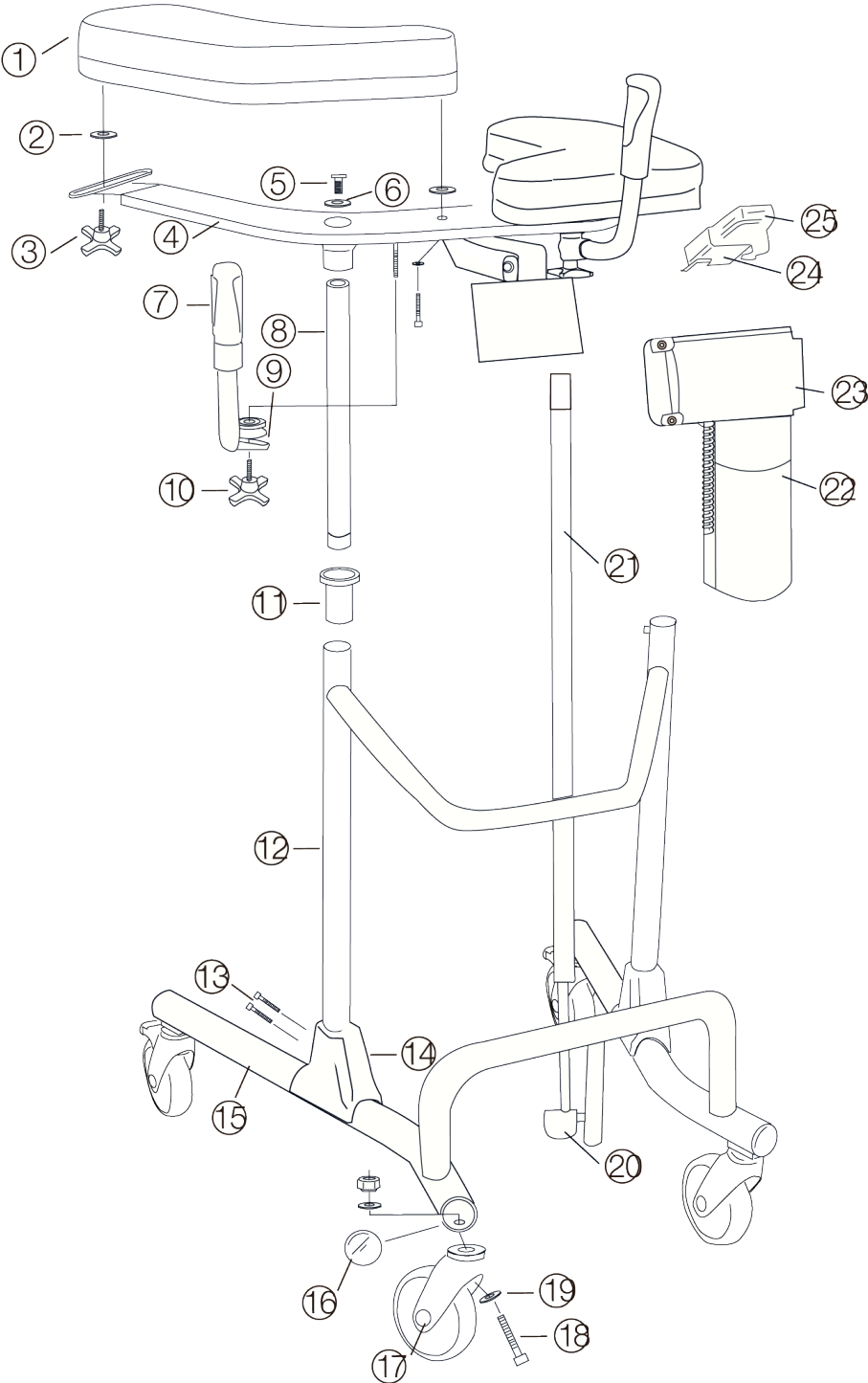


### 18. Parts List

1	Arm rest plate	12	Intermediate frame	22	Control box (T-Motion)
2	Plastic washer	13	Bolts	23	Battery
3	Knob	14	Protective cover	24	Holder/ remote control
4	Upper frame	15	Base frame	25	Remote control (T-Motion)
5	Attachment bolt (2pcs)	16	End bushing	26	A Gas strut
6	Serrated washer	17	Castor		B Handle
7	Handle and grip	18	Bolt		C Arm/housing
8	Chromium-plated tube	19	Washer		D Bolt, washer (2 pcs), nut (attachment at bottom and top)
9	Clamp	20	Cover/green		
10	Knob	21	Actuator (T-Motion)		
11	Guide sleeve				



BURE ORTHO/SPACE














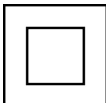

## 19. Replacement Parts List

Nr.	Part no.	Description
1	57-357-R	Arm rest plate, right
1	57-357-L	Arm rest plate, left
2	57-904	Plastic washer/Arm support widening
3	56-364	Knob for adj. width of arm rest plates
4	57-356	Upper frame
5	57-816	Attachment bolt, M10x40
6	57-803	Serrated washer
7, 9, 10	56-353	Handle kit (2 pairs incl. attachment knob/clamps)
8	58-311	Guide tube with bronze bushings
10	56-363	Knob for adjusting handle
11	56-340	Guide sleeve
12	57-355	Intermediate frame
13	57-810	Bolt M8x45
14	56-375	Protective cover, plastic
15	57-354	Lower frame Bure Ortho
15	57-354-S	Lower frame Bure Ortho S
15	57-373	Lower frame Bure Space
16	56-344	End piece, lower frame, Black/D45
17	56-361	Castor with brake 125mm
-	56-357	Castor without brake 100 mm
-	56-358	Castor with brake 100 mm
-	56-360	Castor without brake 125 mm
-	56-387	Castor with brake 75 mm
18	-	Bolt M10x50
19	57-848	Nordloc washer
20	58-331	Cover/green (T-motion)
21	58-377	T-Motion - Actuator (Raise/Lower)
22	58-373 alt. 58-373/Lion	T-Motion - Control box 220 V
22	58-373/Lion-1	T-motion - Control box 110 V
23	58-376 alt. 58-402	T-Motion – Battery
24	57-041-2	Holder, hand controller
25	58-374-1	T-Motion – Hand control (Raise/Lower)
-	56-305	Touch-up paint, Bure Silver 8
-	58-326	T-Motion – Power cable, coiled
-	58-326-1	Power cable, coiled UK
-	58-326-2	Power cable, coiled US
-	58-326-3	Power cable, coiled AUS
26A	57-007-1	Gas strut 400mm
26B	57-329	Plastic handle
26C	57-008-2	Lever/Alu

## 20. Accessories

Part no.	Description
56-326-0	Handbrake kit/2 handles
56-326-1	Handbrake kit/One-handed brake
56-327	Frame elevation kit, 70 mm
56-333-ortho/space	Footplate, long, Bure Ortho/Space
56-335	Attachment for drip holder
56-336	Oxygen holder
56-337	Side support, adjustable
56-338	Drip rod complete with attachment
56-389	Soft basket with attachment
56-061	Remote control PLUS (TH10) including Holder
56-352	Lower Leg Support

## 21. Table of Symbols

	This product complies with the requirements of the Medical Device Regulation 2017/745		Visual Inspection
	Medical Device		Read the manual
	Caution		Product Code
	Manufacturer information		Batch Code
	Type BF, according to the degree of protection against electric shock		The device is intended for indoor use
	WEEE Symbol May not be discarded in domestic waste		Class II Equipment
	Duty Cycle: 2 min in active (ON) mode. 18 min in rest (OFF) mode.		



Medical Device Class I

Medical Device Class I. The product complies with the requirements of the Medical Devices Regulation 2017/745.

# Direct Healthcare Group

Advancing Movement & Health®

Direct Healthcare Group Sverige AB  
Torshamnsgatan 35,  
SE-164 40 Kista, Sweden

Tel: +46 (0)8-557 62 200  
info@directhealthcaregroup.com  
www.directhealthcaregroup.com