

matrix

SEATING SERIES



PRODUCTS

shaped

AROUND PEOPLE

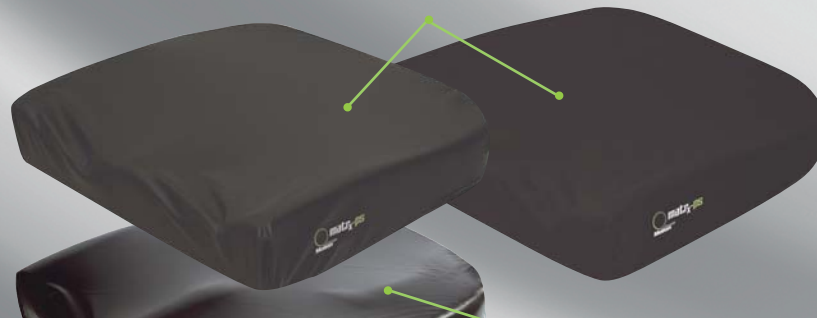


matrx™ PS POSTURE SEAT

MaTRx PS cushion is designed to provide superior positioning, stability and comfort. The design features an anatomically contoured shape with a unique waffled ischial relief recess, and an innovative reversible outer cover.

REVERSIBLE OUTER COVER:

- ▶ Innovative reversible outer cover may be used smooth or fabric side out
- ▶ Dartex™ fabric is moisture resistant and breathable

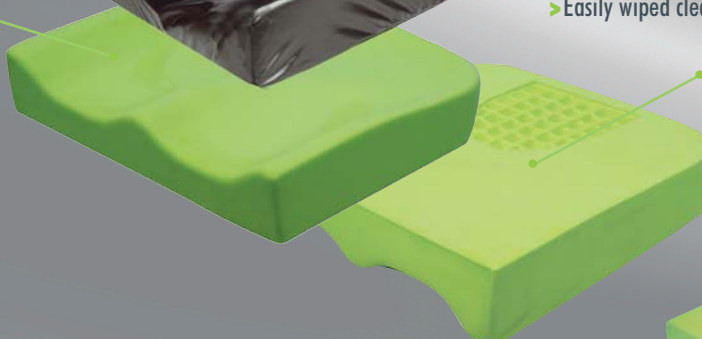


INNER COVER:

- ▶ Moisture resistant
- ▶ Easily wiped clean

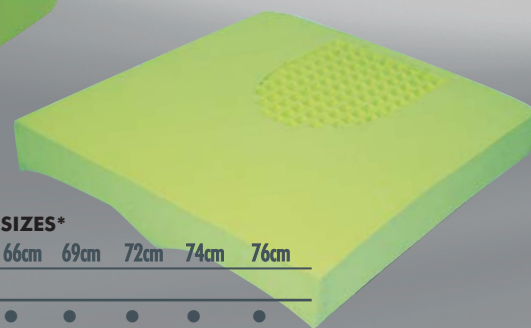
CUSHION:

- ▶ Durable HR (high resilient) foam prevents "bottoming out"
- ▶ Anatomically molded shape for optimal positioning and comfort
- ▶ Rear radius for sacral support
- ▶ Waterfall front edge
- ▶ Made with Ultra-Fresh™ for antibacterial and odor protection



ISCHIAL RELIEF AREA:

- ▶ Waffled recess provides immersion of bony prominences
- ▶ Helps maintain pelvic position and prevent sliding



NEW

PEDIATRIC SIZES

width	31cm	36cm
depth		
31cm	●	●
36cm	●	●
41cm	●	●

Weight capacity 68 kg.
Approximate Cushion weight is .5 kg

STANDARD SIZES

width	41cm	46cm	51cm
depth			
41cm	●	●	●
46cm	●	●	●
51cm	●	●	●

Weight capacity 136 kg.
Approximate Cushion weight is .9 kg

NEW

BARIATRIC (HEAVY DUTY) SIZES*

width	58cm	61cm	63cm	66cm	69cm	72cm	74cm	76cm
depth								
51cm	●	●	●	●	●	●	●	●
53cm	●	●	●	●	●	●	●	●
56cm	●	●	●	●	●	●	●	●
58cm	●	●	●	●	●	●	●	●
61cm	●	●	●	●	●	●	●	●
63cm	●	●	●	●	●	●	●	●
66cm	●	●	●	●	●	●	●	●
69cm	●	●	●	●	●	●	●	●
71cm	●	●	●	●	●	●	●	●
74cm	●	●	●	●	●	●	●	●
76cm	●	●	●	●	●	●	●	●

Weight capacity 272 kg.

* Bariatric PS Dartex Covers are NOT reversible.
Please specify smooth or fabric side out.

▶ CUSTOM MODIFICATIONS



- ▶ Leg length discrepancies, width/depth reductions
- ▶ Foam, inner and outer covers modified to your specifications

▶ CUSHION RIGIDIZER



- ▶ Lightweight, slim profile solid seat insert
- ▶ Contoured to eliminate "hammock effect" of sling upholstery

▶ PELVIC OBLIQUITY KIT



- ▶ Easily installed on MaTRx PS cushions
- ▶ Accommodates 1.3 cm or 2.5 cm obliquities
- ▶ Must be specified at the time of order - cushion modification required



MaTRx-Vi cushion is designed to provide skin protection and positioning for users at moderate to high risk of skin breakdown. The unique 3 part foam construction targets skin protection to where it is needed most, and features improved stability, support and comfort.

OUTER COVER:

- Moisture resistant and breathable
- Includes non-slip base, Velcro® strips, lifting strap and convenient side pocket
- Available in black or Kid*ab*ra print

TOP LAYER:

- Soft (ILD) High Resilient (HR) foam for optimal comfort and support
- Pre-ischial contour provides stability to pelvis
- Abductor/adductor contour promotes midline leg positioning
- Made with Ultra-Fresh™ for antibacterial and odor protection

BOTTOM LAYER:

- Firm (ILD) High Resilient (HR) foam for support and durability
- Trochanteric shelf provides stability to hips
- Waterfall front edge
- Rear radius for sacral support

INNER COVER:

- Moisture resistant
- Easily wiped clean
- Zippered cover allows access for cushion modifications

VISCO FOAM INSERT:

- Molded visco-elastic foam ischial relief insert
- Anatomically targeted to provide immersion of sensitive bony prominences



PEDIATRIC SIZES

width	31cm	36cm
depth		
31cm	●	●
36cm	●	●

Kid*ab*ra fabric standard
black fabric optional

Weight capacity 68 kg lbs.

STANDARD SIZES

width	36cm	41cm	45cm	51cm
depth				
38cm	●			
41cm		●	●	●
43cm	●			
46cm		●	●	●
48cm				
53cm		●	●	●

Weight capacity 137 kg.

BARIATRIC (HEAVY DUTY) SIZES

width	46cm	48cm	51cm	53cm	56cm	58cm	61cm	63cm	66cm	69cm	71cm	74cm	76cm
depth													
18"			●	●	●	●	●	●	●	●	●	●	●
19"			●	●	●	●	●	●	●	●	●	●	●
20"			●	●	●	●	●	●	●	●	●	●	●
21"	●	●	●	●	●	●	●	●	●	●	●	●	●
22"	●	●	●	●	●	●	●	●	●	●	●	●	●
23"	●	●	●	●	●	●	●	●	●	●	●	●	●
24"	●	●	●	●	●	●	●	●	●	●	●	●	●
25"	●	●	●	●	●	●	●	●	●	●	●	●	●
26"	●	●	●	●	●	●	●	●	●	●	●	●	●

Weight capacity 272 kg.

➤ DROP BASE



- Includes built-in drop base, drop hooks, DuraClip fasteners
- Allows adjustment of seat angle

➤ PELVIC OBLIQUITY KIT



- Easily installed on all MaTRx-Vi /Kid*ab*ra-Vi cushions/bases
- Accommodates 1.3 cm or 2.5 cm obliquities

➤ CUSTOM MODIFICATIONS



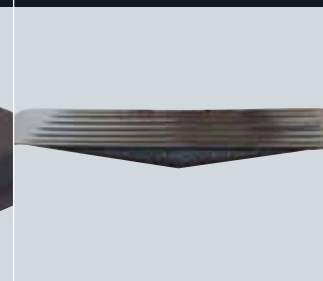
- Leg length discrepancies, width/depth reductions
- Foam, inner and outer covers modified to your specifications

➤ DARTEX™ COVER



- Outer cover available in smooth or fabric side out
- Moisture resistant

➤ CUSHION RIGIDIZER



- Lightweight, slim profile solid seat insert
- Contoured to eliminate "hammock effect" of sling upholstery



solutions
FOR THE WIDEST RANGE
of CLIENT NEEDS



matrx™ pb

POSTURE BACK

MaTRx-PB Posture Back is contoured to provide midline support and positioning. The extensive range of sizes provides exceptional comfort and support for a wide range of user needs.

OUTER COVER:

- Moisture resistant and breathable
- Available in black or Kid*ab*ra print

SACRAL/LUMBAR SUPPORT:

- Includes removable positioning pad

BACK SHELL:

- Contoured shell (standard/deep) provides exceptional midline support and positioning
- Durable, lightweight ABS back shell includes built-in plate for headrest attachment

FOAM:

- Molded foam wraps around shell for maximum comfort and protection

HARDWARE:

- "Easy Set" hardware is easily installed and adjusted in minutes — adjustments can be made while user is seated in the wheelchair
- Quick release for easy portability
- Infinite adjustment of depth (10 cm), angle (40°) and rotation
- Fits 2 cm, 2.2 cm and 2.5 cm diameter back canes
- Adjusts to fit chairs 2.5 cm narrower to 2.5 cm wider



Kid*ab*ra fabric optional



STANDARD POSTURE BACK

width	36cm	41cm	43cm	46cm	51cm
height					
31cm	•	•	•	•	•
41cm	•	•	•	•	•
51cm		•	•	•	•

Weight capacity 136 kg.

HEAVY DUTY POSTURE BACK

width	51cm	56cm	61cm
height			
41cm	•	•	•
51cm	•	•	•

Weight capacity 227 kg.

EXTRA WIDE POSTURE BACK

width	61cm	63cm	66cm	69cm	71cm	74cm	76cm
height							
41cm	•	•	•	•	•	•	•
51cm	•	•	•	•	•	•	•

Weight capacity 227 kg.

13 CM CONTOUR DEPTH-STANDARD



18 CM CONTOUR DEPTH-DEEP



➤ CANE REPLACEMENTS



- Replaces existing back canes which are less than 2.5 cm diameter for use with any MaTRx back

➤ FOAM-IN-PLACE KIT



- Individually molded insert produced in minutes with user seated in back
- Optional high stretch cover available

➤ EXTENDED MOUNTING PINS



- Extended mounting pins available for MaTRx-PB & Elite. Not available on Heavy Duty PB backs
- Allows the back to fit chairs up to 5 cm wider

➤ VISCO FOAM UPGRADE



- Laminate of 1.3 cm high resilient foam and 1.6 cm Visco Foam
- Available on MaTRx PB and Elite backs
- Molded foam is not available on MaTRx PB with this option

➤ HEADREST ADAPTER



- Allows the headrest to be mounted directly onto MaTRx Elite backs
- Available in 3 sizes

matrx™ pb elite

MaTRx PB Elite back is designed to provide precise orientation within the wheelchair for optimal postural support. The attractive, lightweight design appeals to users with active lifestyles.

OUTER COVER:

- Oversized cover/foam for extra comfort and protection
- Moisture resistant and breathable cover (Optional Kid*ab*ra print)
- Includes removable lumbar positioning pad

HARDWARE:

- "Easy Set" hardware installed and adjusted in minutes – adjustments can be made while user is seated in the wheelchair
- Quick release for easy portability
- Infinite adjustment of depth (10 cm), angle (40°) and rotation
- Fits 2cm, 2.2 cm and 2.5 cm diameter back canes
- Adjusts to fit chairs same width or 2.5 cm wider

BACK SHELL:

- Stylish and breathable back shell
- Lightweight - most models under 1.5 kg

- ## SACRAL/LUMBAR SUPPORT:
- Includes removable positioning pad

8 CM CONTOUR DEPTH



ELITE BACK

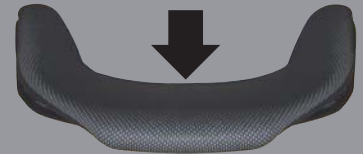
	width	31cm	33cm	36cm	38cm	41cm	43cm	46cm	48cm	51cm
	height									
short	25cm	•	•	•	•	•	•	•	•	•
	31cm	•	•	•	•	•	•	•	•	•
mid	33cm	•	•	•	•	•	•	•	•	•
	41cm	•	•	•	•	•	•	•	•	•
tall	46cm	•	•	•	•	•	•	•	•	•
	51cm	•	•	•	•	•	•	•	•	•
	51cm Full Back*			•	•	•	•	•	•	•

Weight capacity 136 lbs.

* Optional Full back style - no scapular cut-outs

NEW DEEP

15 CM CONTOUR DEPTH-DEEP



ELITE DEEP BACK

	width	36cm	38cm	41cm	43cm	46cm	48cm	51cm
	height							
	31cm	•	•	•	•	•	•	•
	41cm	•	•	•	•	•	•	•
	46cm	•	•	•	•	•	•	•
	51cm	•	•	•	•	•	•	•

Weight capacity 136 kg.

➤ SWING-AWAY



- 6 cm of vertical adjustment on back pan
- Mount inside back shell without interfering w/depth/angle adjustment
- Easy push button release
- 4 pad sizes: XS, S, M & L

➤ OFFSET SWING-AWAY



- Provides an additional 3" of vertical position (higher or lower) relative to mounting slots
- Mount inside back shell without interfering w/depth/angle adjustment
- Easy push button release
- 4 pad sizes: XS, S, M & L

➤ LATERAL PADS



- Lateral Pads are available in 4 pad sizes: XS, S, M & L
- XS: 8 cm high x 11 cm long
- S: 9 cm high x 13 cm long
- M: 9.5 cm high x 15 cm long
- L: 11 cm high x 16.5 cm long

➤ FIXED



- 6 cm of vertical adjustment on back pan
- Mount inside back shell without interfering with depth/angle adjustment
- Available in standard and pediatric sizes

➤ OFFSET FIXED



- Provides an additional 3" of vertical position (higher or lower) relative to mounting slots

EASY-SET HARDWARE ADJUSTMENTS



DEPTH 4"
>5 cm in front or
behind back
canes



**ANGLE
ADJUSTMENT**
>40° range of
back angle
adjustment



ROTATION
>Back may be
oriented to
accommodate
pelvic/trunk
rotation

MOUNTING HARDWARE OPTIONS



① HEAVY DUTY "EASY SET" MOUNTING HARDWARE

- >Standard with Heavy Duty Posture Backs
- >Recommended for users over 300 lbs, high tone or heavy use

② FIXED SPACE SAVER MOUNTING HARDWARE

- >Requires tools for removal
- >Saves space for tighter width applications
- >Fully adjustable

③ SPLIT MOUNTING HARDWARE

- >Provides clearance of mid back cane rigidizer bars
- >Not recommended for Heavy Duty Posture backs
- >Available as a no charge option

④ EXTENDED SHEAR REDUCTION MOUNTING HARDWARE

- >Allows all MaTRx backs to be mounted directly to Motion Concepts TRx seating with Power Recline and ESR



PRODUCTS
shaped
AROUND PEOPLE





MaTRx Genera back provides support and comfort at a price so affordable that no wheelchair user needs to make do with sling upholstery.



GENERA BACK HIGHLIGHTS:

- > Attractive, water resistant and breathable cover, vinyl backed
- > Hardware fits 2 cm, 2.2 cm and 2.5 cm back cones
- > Provides 1" depth and 20° recline adjustability
- > Quick release hardware for easy portability
- > Sturdy contoured shell, durable plated steel hardware
- > Built-in T-nuts for headrest attachment
- > Hardware adjusts to fit chairs 2.5 cm wider than back model width

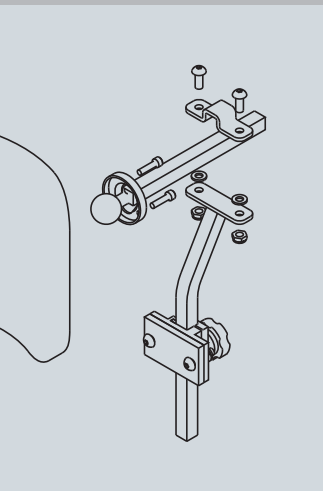
STANDARD SIZES

width	41cm	46cm	51cm
height			
41cm	●	●	●
51cm	●	●	●

Weight capacity 137 kg.

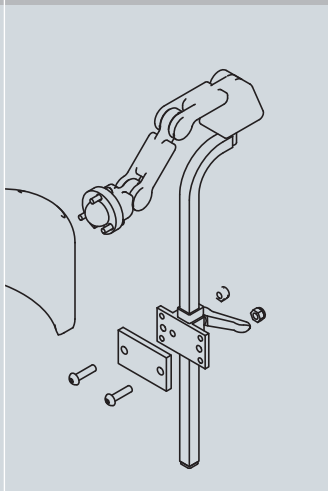
HEAD SUPPORT HARDWARE OPTIONS

STANDARD HARDWARE



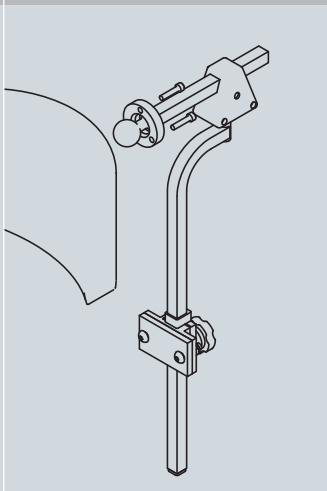
- Comes standard with Otto Bock, Standard & Stealth Comfort Plus Pads

STEALTH "WORLD'S BEST"



- Upgrade option for Otto Bock, Standard & Stealth Comfort Plus Pads
- Dual pivot balls for pad orientation
- Depth adjustable through dual link system
- Height adjustable
- Includes mounting clamp for attachment to back with latch style release for headrest removal

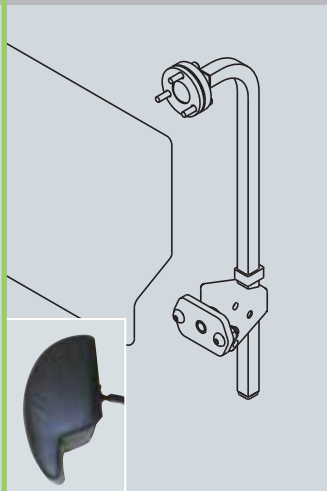
MULTI-AXIS



- Upgrade option for Otto Bock, Standard & Stealth Comfort Plus pads
- Dual pivot balls for pad orientation
- Depth adjustable through horizontal slide bar
- Height adjustable
- Includes mounting clamp for attachment to back with knob style release for headrest removal

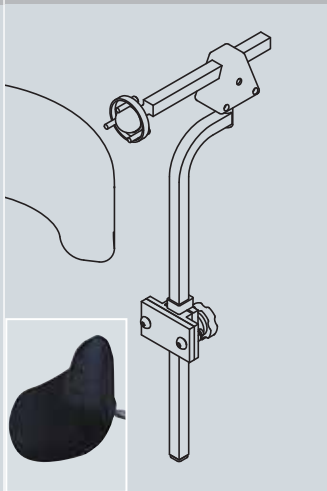
HEAD SUPPORT KITS

ONYX AUTO STYLE KIT



- Onyx leatherette cover
- Auto-style contouring
- 20 cm wide x 20 cm high x 10 cm thick
- Dual pivot ball for pad orientation
- Limited adjustability – recommended for Contour or High backs
- Height adjustable
- Includes fixed mount clamp

25 CM SOFT



- Multi-Axis hardware
- Dual pivot balls for pad orientation
- Depth adjustable through horizontal slide bar
- 25 cm wide soft pad
- Includes removable mount clamp

HEAD PAD OPTIONS

OTTO BOCK



- Easy to clean self skinning polyurethane foam
- Anatomically shaped to provide lateral flexion control
- 18 cm wide x 13 cm high or 23 cm wide x 15 cm high

STANDARD



- Easy to clean self skinning polyurethane foam
- Gentle lateral contouring
- 16.5 cm wide x 18 cm high

STEALTH COMFORT PLUS



- Soft, comfortable layered foam on coated metal shell
- Removable, washable cover
- Four pad sizes: 20 cm, 25 cm or 35.5 cm wide x 15 cm high and 15 cm wide x 9.5 cm high

POSITIONING STRAP OPTIONS

PADDED LAP BELTS



- 5 cm wide belts, comfortable padding
- Center pull tightening, push release buckle
- 2 or 4 point attachment

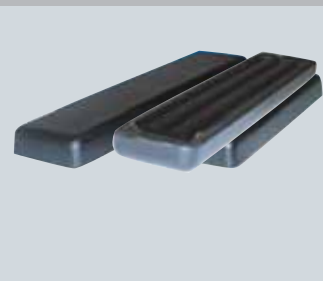
AIR MESH CALF STRAP



- Available in 4 sizes: M, L, MD, LG
- For 38 cm - 46 cm wide chairs
 - M: 9 cm high
 - MD: 23 cm high
- For 46 cm - 56 cm wide chairs
 - L: 9 cm high
 - LG: 23 cm high

ARMPAD OPTIONS

MULTIPOSITION ARM PADS



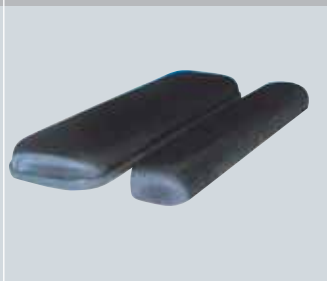
- Soft, gel-like feel provides extra comfort and protection for arms
- Highly durable skinned polyurethane resists cracking and peeling
- Triple track extrusion allows adjustability of mounting position and attachment location for other accessories
- 8 cm wide; desk length 25 cm or full length 30.4 cm

ERGONOMIC ARM TROUGH/HAND PAD KIT



- Molded, skinned polyurethane fits the natural arm curvature
- Unique cut-out at elbow provides users with flexibility of various arm positions
- Triple track extrusion allows a variety of mounting positions
- Complete with flat hand pad or interfaces with other manufacturer's hand pieces

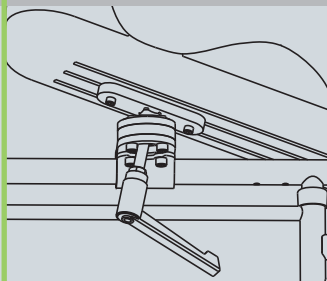
GEL ARM PADS



- Fabric covered polymer gel arm pads
- Provides extra protection for highly sensitive arms
- Available in 3 models:
 - Std. Narrow: 5 cm wide x 30.4 cm long
 - Std. Wide: 9 cm wide x 30.4 cm long
 - Long Wide: 9 cm wide x 35.5 cm long

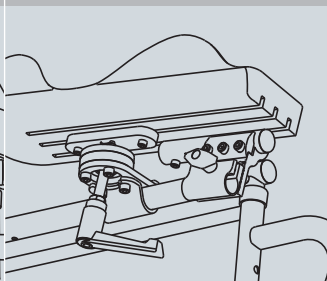
POSITIONING STRAP OPTIONS

MULTI AXIS ARMREST MOUNT



- Allows infinite adjustment of angle and rotation of arm pad
- Interfaces with multiposition arm pad

JOYSTICK MOUNTING BAR FOR MULTI AXIS ARMREST MOUNT



- Available for 2 cm or 2.2 cm joystick bar size



matrix
SEATING SERIES

MANUFACTURED BY:



Motion Concepts
84 Citation Dr., Unit 1-7
Concord, ON L4K 3C1
Toll Free Tel: 1.866.748.7943
Tel: 905.695.0134
Fax: 905.695.0138

DISTRIBUTED IN USA BY:



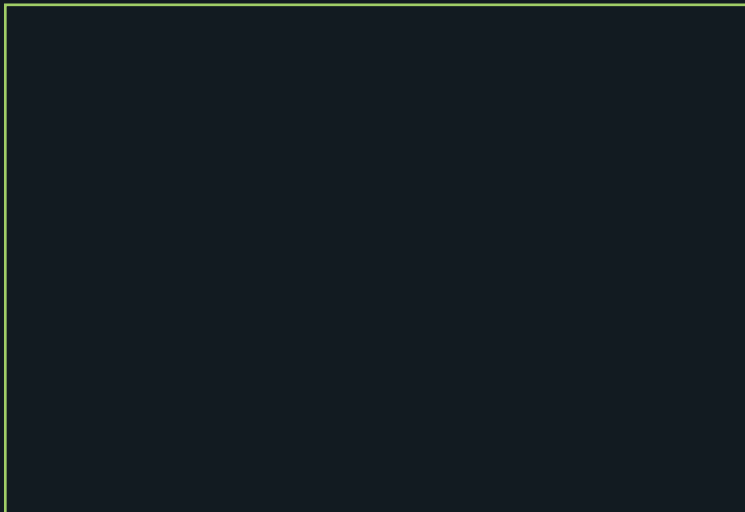
Motion Concepts
700 Ensminger Rd., Suite 112
Tonawanda, NY 14150
Toll Free Tel: 1.888.433.6818
Toll Free Fax: 1.888.433.6834

DISTRIBUTED IN CANADA BY:



Invacare Canada
570 Matheson Blvd East, Unit 8
Mississauga, Ontario L4Z 4G4
Toll Free: 800.668.5478
Fax: 905.361.1303
www.invacare.ca

DISTRIBUTED BY:



Cover Photo:

Anita is an inspiration to everyone she meets. Her greatest joy is spending time with her vivacious 2 year old daughter, Olivia and loving husband, Bobby. In her spare time she enjoys visiting with friends, reading, swimming and sailing. Anita is set to complete her Doctorate in Rehabilitation Science and looks forward to continuing to make a difference.